



McGUIRE MFG. CO., INC.

60 Grandview Court
 P.O. Box 746 ♣ Cheshire, CT 06410
 203-699-1801 ♣ Fax 203-699-1813
 www.mcguiremfg.com

Product Specification

Part No.

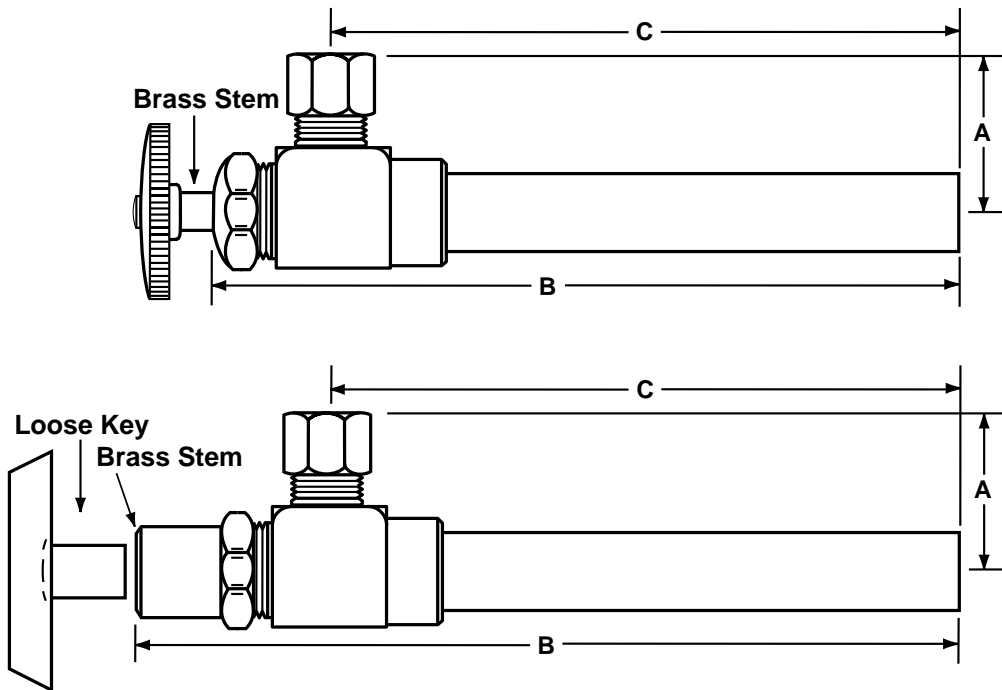
HST082, HST082LK,
 HST084, HST084LK

Premier Angle Supply Stop
 Copper Sweat x O.D.

Job Name: _____

Submittal Number: _____

Sweat With 5" Extension To Compression



MODEL NO.	ROUGHING MEASUREMENTS	A	B	C
HST082	1/2" Copper Sweat x 3/8" O.D.	1-3/8"	6-7/8"	5-3/4"
HST082LK	1/2" Copper Sweat x 3/8" O.D.	1-3/8"	7-7/16"	5-3/4"
HST084	1/2" Copper Sweat x 1/2" O.D.	1-3/8"	6-7/8"	6"
HST084LK	1/2" Copper Sweat x 1/2" O.D.	1-3/8"	7-7/16"	6"

LK designates *Loose Key*



See options and accessories section for details on product variations.

Specifications:

Chrome plated brass, Heavy Supply Stop Valve with full turn brass stem. Inlet shall be (3/8, 1/2) inch (IPS, sweat, compression). Outlet shall be (3/8, 1/2) inch (IPS, compression). Supply stop valve shall be McGuire _____. Supply stop valve shall be certified by CSA or other recognized testing authority and bear manufacturer and testing mark. Stop to be certified to 200 psi line pressure.