



McGUIRE MFG. CO., INC.

60 Grandview Court
 P.O. Box 746 ♣ Cheshire, CT 06410
 203-699-1801 ♣ Fax 203-699-1813
 www.mcguiremfg.com

Product Specification

Part No.

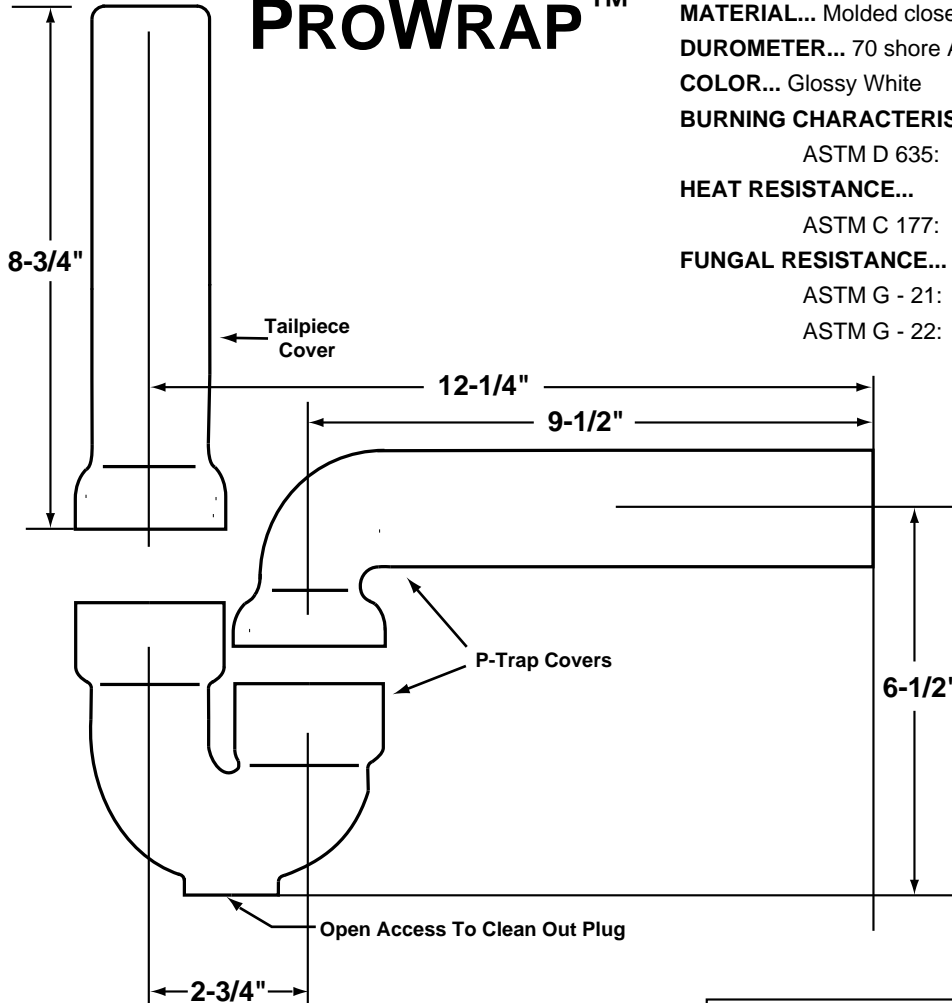
PW2000, PW2000WC

Seamless Retrofit P-Trap Insulation Kit

Job Name:

Submittal Number:

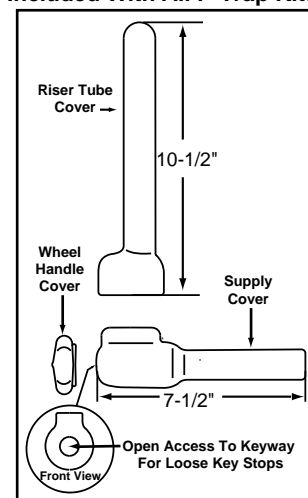
PROWRAP™



Material Specifications

- MATERIAL...** Molded closed cell vinyl (ANTI-MICROBIAL)
- DUROMETER...** 70 shore A
- COLOR...** Glossy White
- BURNING CHARACTERISTICS...**
 - ASTM D 635: Less than 5 sec (ATB) 10mm (AEB)
- HEAT RESISTANCE...**
 - ASTM C 177: BTU - in/hr - ft 2 - °F KValue = 1.02
- FUNGAL RESISTANCE...**
 - ASTM G - 21: (Rating*) 0 fungal growth measured
 - ASTM G - 22: (Rating*) 0 bacterial growth measured

**Supply Covers (1 pair)
Included With All P-Trap Kits**



NOTE: PW 2000 RETROFIT KIT WILL ACCOMMODATE 1-1/4" OR 1-1/2" BRASS P-TRAPS

NO.	ROUGHING MEASUREMENTS
	TRAP DIMENSIONS
PW2000	For 1-1/4" & 1-1/2" P-Traps
PW2000WC	For 1-1/4" & 1-1/2" P-Traps w/ offset drain assembly.

*ASTM Rating - Observed Growth on Specimens

- 0 None
- 1 Traces of Growth (less than 10%)
- 2 Light Growth (10-30%)
- 3 Medium Growth (30-60%)
- 4 Heavy Growth (60%-complete coverage)

Environmental Controls:

Paper - 4, Cork - 1, Cotton - 4, Glass - 0



MADE IN USA
 U.S. PATENT
 # 5,341,830

See options and accessories section for details on product variations.

Specifications:

Seamless Retrofit P-Trap Insulation Kit furnished with seamless riser tube covers, supply angle stop covers, seamless drain tailpiece cover and angle stop wheel handle covers.