



McGUIRE MFG. CO., INC.

60 Grandview Court
 P.O. Box 746 ♣ Cheshire, CT 06410
 203-699-1801 ♣ Fax 203-699-1813
 www.mcguiremfg.com

Product Specification

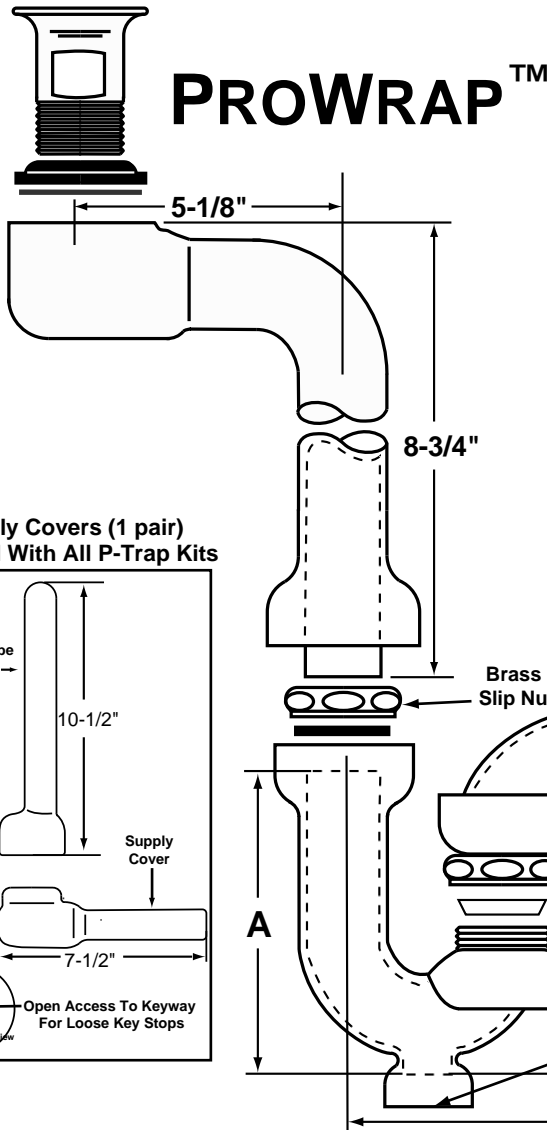
Part No.

PW2125WC, PW2150WC

**Seamless PreWrapped
 Cast P-Trap
 Insulation Kit**

Job Name:

Submittal Number:

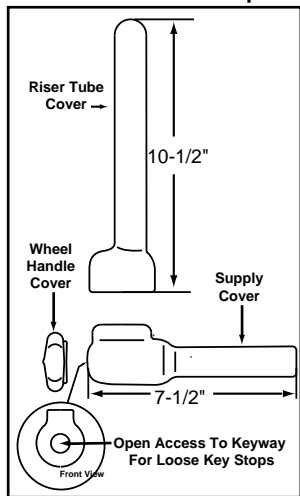


Insulation Material Specifications

MATERIAL... Molded closed cell vinyl (ANTI-MICROBIAL)
DUROMETER... 70 shore A
COLOR... Glossy White
BURNING CHARACTERISTICS...
 ASTM D 635: Less than 5 sec (ATB) 10mm (AEB)
HEAT RESISTANCE...
 ASTM C 177: BTU - in/hr - ft 2 - °F KValue = 1.02
FUNGAL RESISTANCE...
 ASTM G - 21: (Rating*) 0 fungal growth measured
 ASTM G - 22: (Rating*) 0 bacterial growth measured

*ASTM Rating - Observed Growth on Specimens
 0 None
 1 Traces of Growth (less than 10%)
 2 Light Growth (10-30%)
 3 Medium Growth (30-60%)
 4 Heavy Growth (60%-complete coverage)
 Environmental Controls:
 Paper - 4, Cork - 1, Cotton - 4, Glass - 0

**Supply Covers (1 pair)
 Included With All P-Trap Kits**



NO.	ROUGHING MEASUREMENTS		A	B
	TRAP DIMENSIONS			
PW2125WC	1-1/4" - 17 G.A. - 11" C to E		5"	4-1/2"
PW2150WC	1-1/2" - 17 G.A. - 12" C to E		5"	4-1/2"

Note: PW2125WC includes McGuire 155WC Offset Strainer and 8872 P-Trap.

Note: PW2150WC includes McGuire 155WC Offset Strainer and (8902 - 8912) P-Trap.

Note: PW2150WC ships with additional 1-1/4" x 1-1/2" brass reducing nut and washer.



MADE IN USA
 U.S. PATENT
 # 5,341,830

See options and accessories section for details on product variations.

Specifications:

Seamless PreWrapped Adjustable Cast Brass P-Trap Kit with PreWrapped offset grid drain. Furnished with McGuire cast brass adjustable P-Trap with cleanout, offset grid drain assembly, seamless riser tube covers, supply angle stop covers, angle stop wheel handle covers, and chrome plated box flange.