



*American Engineering.
Quality Performance®*

CORNERSTONE™



One Handle Kitchen

DESCRIPTION

- Metal construction with chrome plated finish
- 1/2" IPS connections
- Six (6) individual boxes per master carton

OPERATION

- Pivot action, lever style handle
- Temperature control by 90° arc
- Will operate with less than 5 lbs. of handle torque
- No grasping motion required to operate the faucet handle

FLOW

- Aerator limited to 2.2 gpm (8.3 L/min)

CARTRIDGE

- European ceramic disc technology
- Non-metallic, non-ferrous, and plastic material
- Single body construction for easy replacement

STANDARDS

- Third party certified to CSA B125, ASME A112.18.1, ANSI A117.1, ANSI/NSF 61/9, IAPMO, and all applicable requirements referenced therein, the Federal Safe Drinking Water Act, California Proposition 65, Illinois, Massachusetts, and Texas
- All CFG products are compliant to all plumbing codes that require 3rd party certification to the applicable plumbing/fitting standards
- Features red/blue hot/cold temperature indicators

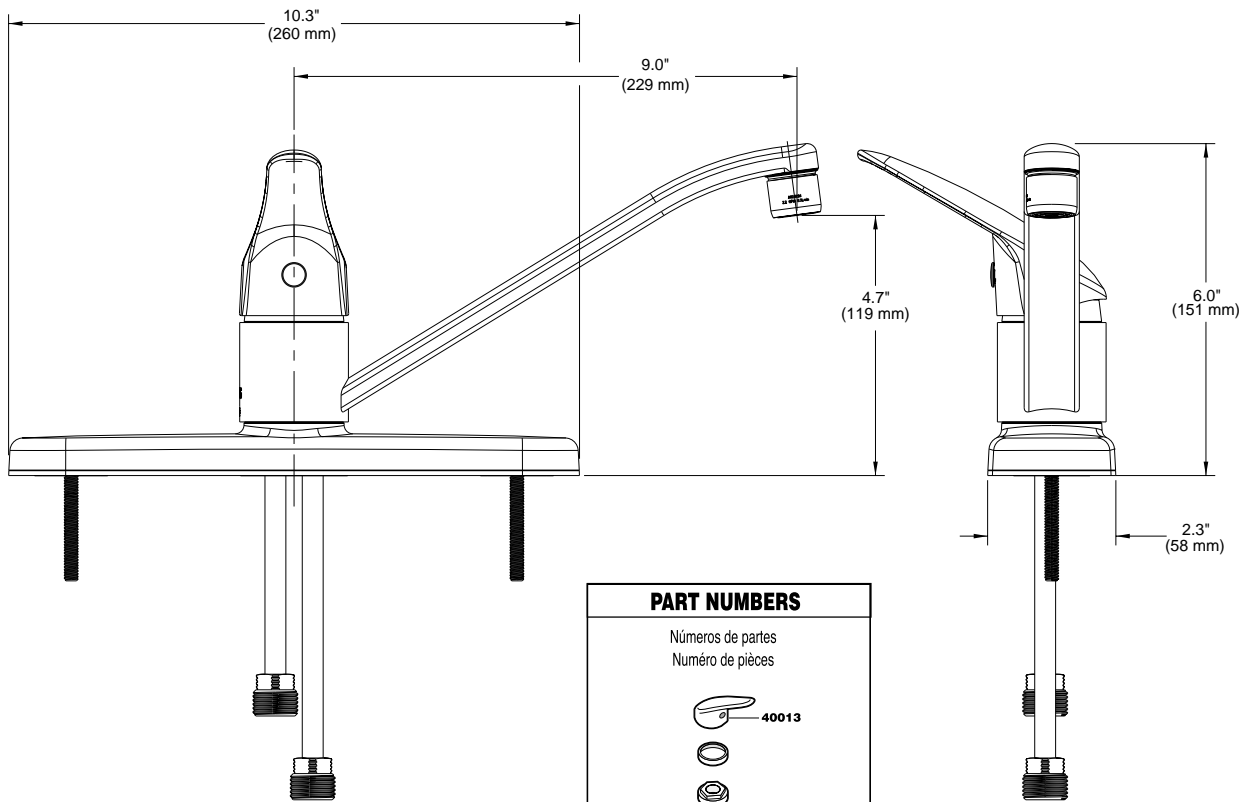
WARRANTY – RESIDENTIAL, COMMERCIAL

- Ten year limited warranty against defects in materials and manufacturing workmanship
- Refer to the installation instructions enclosed with each CFG product or call 1-888-450-4910 for complete warranty information



CRITICAL DIMENSIONS

- **Note:** This faucet is designed to be installed through 3 holes, 1" minimum diameter, 8" centers
- Maximum deck thickness 1.5" (38.1 mm) - Spacer provided. Discard spacer if deck thickness exceeds 0.875" (22.2 mm)



PART NUMBERS

Números de partes
 Numéro de pièces

40013

40002

40012

40011

40004