



Model: 40711

*American Engineering,  
Quality Performance®*

**CORNERSTONE™**



## One Handle Lavatory With Waste

### DESCRIPTION

- Metal construction with chrome plated finish
- 1/2" IPS connections
- Includes 50/50 pop-up type assembly
- Six (6) individual boxes per master carton

### OPERATION

- Pivot action, lever style handle
- Temperature control by 90° arc
- Will operate with less than 5 lbs. of torque
- No grasping movement required to operate

### FLOW

- Aerator limited to 2.2 gpm (8.3 L/min)

### CARTRIDGE

- European ceramic disc technology
- Non-metallic, non-ferrous, and plastic material
- Single body construction for easy replacement

### STANDARDS

- Third party certified to CSA B125, ASME A112.18.1, ANSI A117.1, ANSI/NSF 61/9, IAPMO, and all applicable requirements referenced therein, the Federal Safe Drinking Water Act, California Proposition 65, Illinois, Massachusetts, and Texas
- All CFG products are compliant to all plumbing codes that require 3rd party certification to the applicable plumbing/fitting standards
- Features red/blue hot/cold temperature indicator

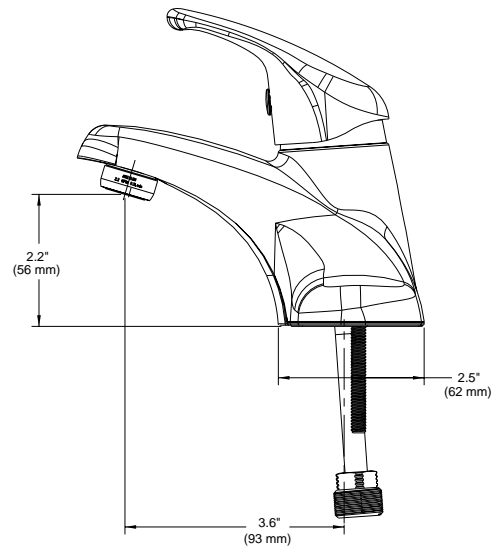
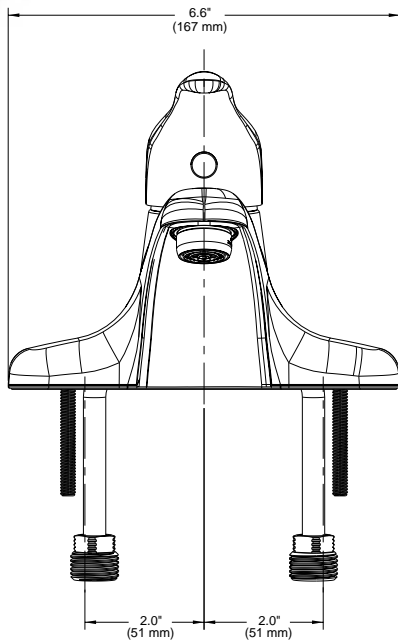
### WARRANTY – RESIDENTIAL, COMMERCIAL

- Ten year limited warranty against defects in materials and manufacturing workmanship
- Refer to the installation instructions enclosed with each CFG product or call 1-888-450-4910 for complete warranty information



**CRITICAL DIMENSIONS**

- **Note:** This faucet is designed to be installed through 3 holes, 1" minimum diameter, 4" centers
- Maximum deck thickness 1.375" (35 mm)
- 6 individual boxes per master carton



**PART NUMBERS**

Numero de partes / Numero de piezas

**40025**

