

## FAUCET DESCRIPTION

- Metal construction with a chrome plated or decorative glacier or sand finish
- Supplied with 9" spout
- 1/2" IPS connections will accept standard ball nose connection for 3/8" tubing

## OPERATION

- Lever style handle
- Temperature controlled by 180° arc of handle travel
- Will operate with less than 5lbs. of force

## FLOW

- Aerator is limited to 2.2 gpm max (8.3 L/min)

## CARTRIDGE

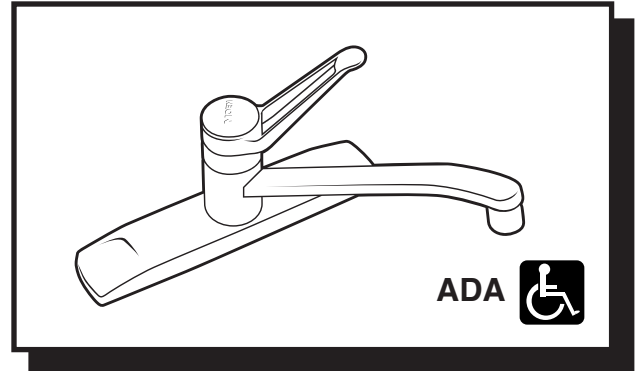
- 1225 cartridge design
- Nonmetallic/nonferrous and stainless steel material
- Is capable of correcting reversed piping and can accommodate back to back installations

## STANDARDS

- The faucet is third party certified by CSA to meet the following: CSA B-125, ASME A112.18.1M and all applicable requirements referenced therein and complies with the applicable requirements of ANSI A117.1
- Certified to ANSI/NSF 61/9
- Complies with California Proposition 65 and with the Federal Safe Water Drinking Act

## WARRANTY

- Lifetime limited warranty against leaks, drips and finish defects to the original consumer purchaser
- 5 year warranty if used in commercial installations



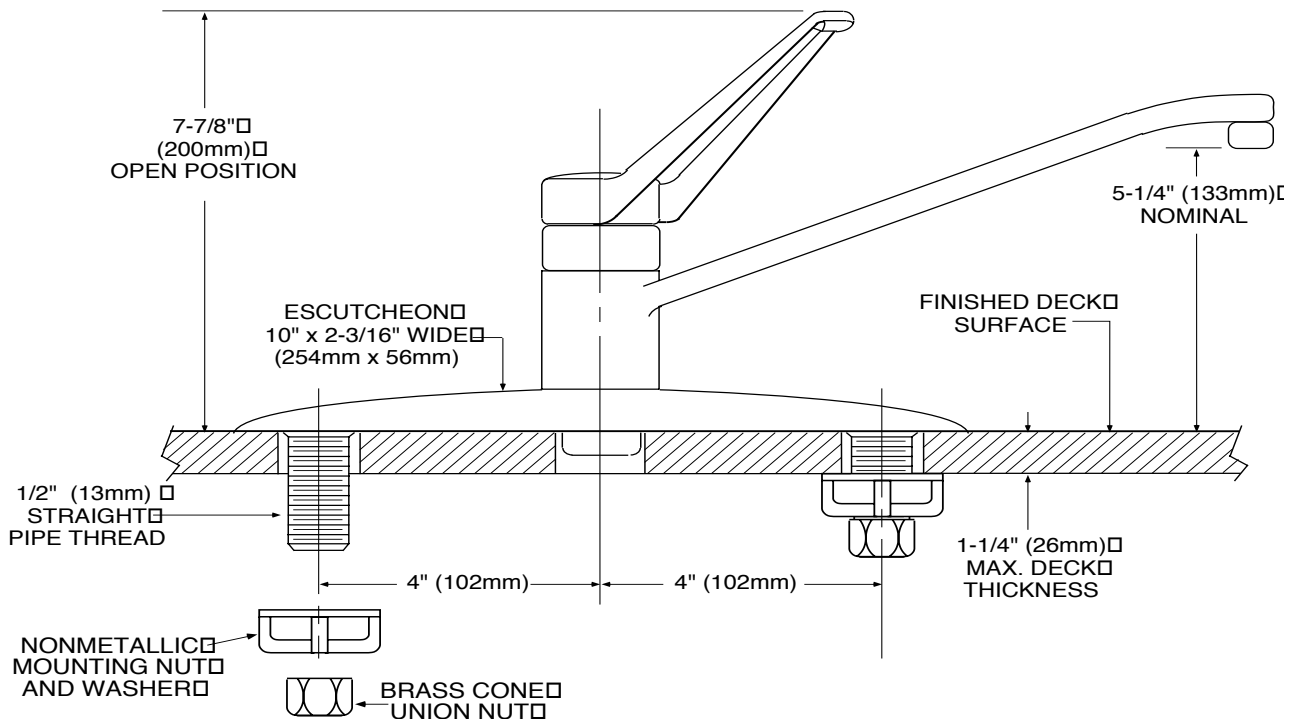
## LEGEND® Single-Handle Kitchen Faucet

Models: 7200, \*7200S,  
7200W, 87500, 67200

**\*7200S Discontinued 3/31/98**

**NOTE: See reverse side  
for illustrated parts**

**NOTE: DESIGNED TO INSTALL  
THRU 3 HOLES 1" (25mm) MIN. DIA.  
AND 4" (102mm) ON CENTER**



## CRITICAL DIMENSIONS

(DO NOT SCALE)