



4700 W. 160th St.
Cleveland, Ohio 44135
Ph: (800) 321-9532
Fax: (800) 321-9535
www.oatey.com

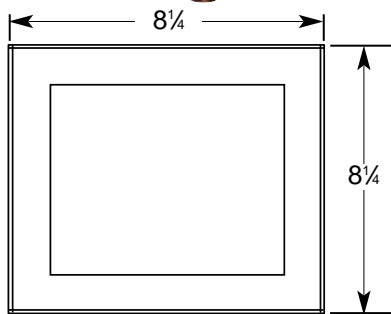
Ice Maker Outlet Boxes



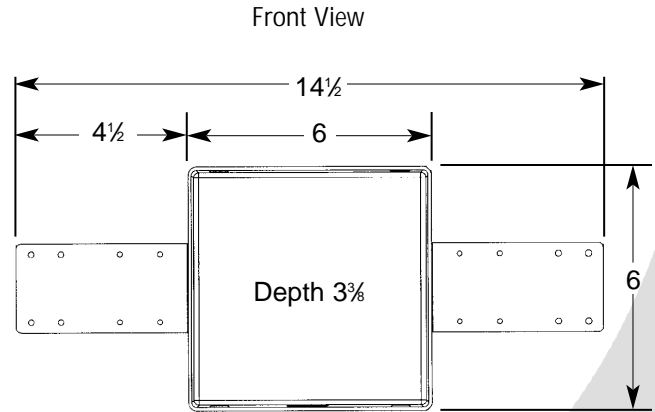
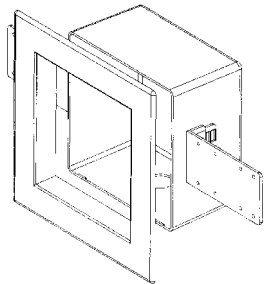
SUBMITTAL SPECIFICATION

Engineering Specification: Oatey Ice Maker boxes can be used in commercial or residential applications which require supply valves recessed into the wall. Available water hammer arrestor option provides water pressure shock arrestors required for installation on supply lines to quick closing valves.

Job Reference



Faceplate



(All dimensions in inches)

- Provides quick, safe water supply and shut-off for refrigerator ice maker and water dispenser
- Box made of high impact polystyrene
- 2 support brackets
- Snap-on faceplate frame accommodates up to 1" drywall
- Valves comply with requirements of NSF 61, Section 9

✓	Prod. No	Description
	38602	1/4 Turn Brass Hammer Ball Valve - CPVC - Standard Pack (6 per)
	38607	1/4 Turn Brass Hammer Ball Valve - Copper Sweat - Display Pack (6 per)
	38608	1/4 Turn Brass Hammer Ball Valve - Copper Sweat - Standard Pack (6 per)
	38680	1/4 Turn Brass Ball Valve - CPVC - Standard Pack (6 per)
	38681	1/4 Turn Brass Ball Valve - Copper Sweat - Standard Pack (6 per)
	38683	1/4 Turn Brass Ball Valve - Copper Sweat - Contractor Pack (12 per)
	38684	1/4 Turn Brass Ball Valve - PEX - Standard Pack (6 per)
	38685	1/4 Turn Brass Ball Valve - CPVC - Contractor Pack (12 per)
	38690	1/4 Turn Brass Ball Valve - Copper Sweat - No Faceplate - Tract Pack (6 per)
	38691	1/4 Turn Brass Ball Valve - PEX - Contractor Pack (12 per)
	38692	1/4 Turn Brass Ball Valve - Kitec® - Standard Pack (6 per)
	38693	1/4 Turn Brass Ball Valve - Wirsbo® - Standard Pack (6 per)
	38739	Boiler Drain Valve - Copper Sweat - Contractor Pack (12 per)
	38805	Plain Box - No Valve - No Hole - Standard Pack (6 per)
	38806	Plain Box - No Valve - No Hole - Standard Pack - With Grommet (6 per)
	38807	North American Boiler Drain Valve - Copper Sweat - Standard Pack (6 per)
	38810	Plain Box - No Valve - Standard Pack (6 per)
	38812	Plain Box - No Valve - No Faceplate - Tract Pack (6 per)
	38951	Boiler Drain Valve - CPVC - Standard Pack (6 per)
	38952	FlowGuard Gold® All-CPVC Valve- CPVC - Standard Pack (6 per)

Valves meet ASME A112.18.1 Water Hammer Arrestors meet ASSE 1010. Data is subject to manufacturing tolerances.

Visit www.oatey.com for updates.