



# Regal Pro™ Model Flushometer

110  
111

► **Description**  
Exposed Water Closet Flushometer, for floor mounted or wall hung top spud bowls.

► **Flush Cycle**  
 Model 110 Water Saver (3.5 gpf/13.2 Lpf)  
 Model 111 Low Consumption (1.6 gpf/6.0 Lpf)

► **Specifications**  
 Quiet, Exposed, Diaphragm Type, Chrome Plated Closet Flushometer with the following features:

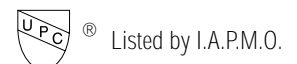
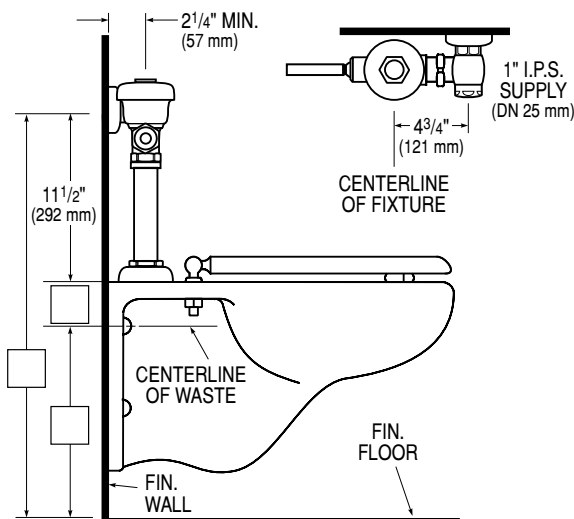
- PERMEX™ Synthetic Rubber Diaphragm with Linear Filtered Bypass with Vortex Cleansing Action™
- ADA Compliant Metal Oscillating Handle
- 1" I.P.S. Screwdriver Bak-Chek™ Angle Stop
- Locking Vandal Resistant Stop Cap
- Adjustable Tailpiece
- Vacuum Breaker Flush Connection
- Spud Coupling, Wall and Spud Flanges for 1½" Top Spud
- Sweat Kit with Cast Set Screw Wall Flange
- High Copper, Low Zinc Brass Castings for Dezincification Resistance
- Non-Hold-Open Handle and No External Volume Adjustment to Ensure Water Conservation
- Low Consumption Flush Accuracy Controlled by Para-Flo™ Technology
- Diaphragm, Handle Packing, Stop Seat and Vacuum Breaker to be Molded from PERMEX™ Rubber Compound for Chloramine Resistance

Valve Body, Cover, Tailpiece and Control Stop shall be in conformance with ASTM Alloy Classification for Semi-Red Brass. Valve shall be in compliance to the applicable sections of ASSE 1037, ANSI/ASME 112.19.6, and Military Specification V-29193.

► **Variations**

- TP** Trap Primer
- YG** Extended Bumper on Angle Stop (for seat with cover)
- YO** Bumper on Angle Stop (for open front seat without cover)

See Accessories Section of the Sloan catalog for details on these and other Flushometer variations.



This space for Architect/Engineer approval

The information contained in this document is subject to change without notice.

**SLOAN**

Made in the U.S.A.

SLOAN VALVE COMPANY • 10500 SEYMOUR AVE. • FRANKLIN PARK, IL. 60131  
 Ph: 1-800-9-VALVE-9 or 1-847-671-4300 • Fax: 1-800-447-8329 or 1-847-671-4380  
<http://www.sloanvalve.com>