



# Regal Pro™ Model Flushometer

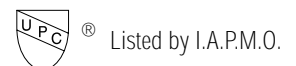
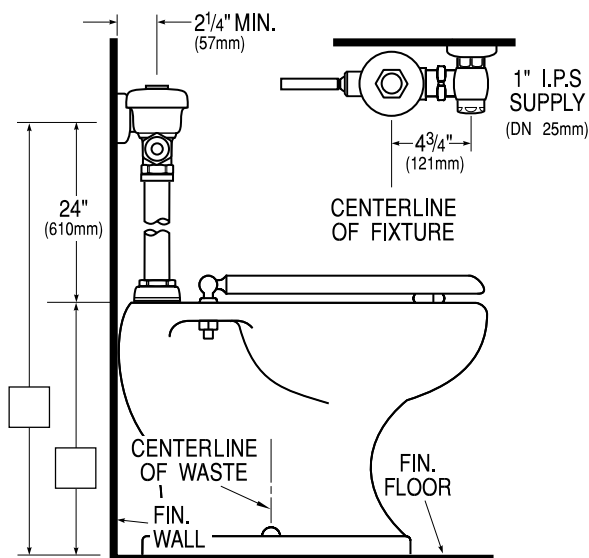
# 115 115-1.6

- ▶ **Description**  
Exposed Water Closet Flushometer, for floor mounted or wall hung top spud bowls.
- ▶ **Flush Cycle**
  - Model 115 Water Saver (3.5 gpf/13.2 Lpf)
  - Model 115-1.6 Low Consumption (1.6 gpf/6.0 Lpf)
- ▶ **Specifications**  
Quiet, Exposed, Diaphragm Type, Chrome Plated Closet Flushometer with the following features:
  - PERMEX™ Synthetic Rubber Diaphragm with Linear Filtered Bypass with Vortex Cleansing Action™
  - ADA Compliant Metal Oscillating Handle
  - 1" I.P.S. Screwdriver Bak-Chek™ Angle Stop
  - Locking Vandal Resistant Stop Cap
  - Adjustable Tailpiece
  - Vacuum Breaker Flush Connection
  - Spud Coupling, Wall and Spud Flanges for 1½" Top Spud
  - Sweat Kit with Cast Set Screw Wall Flange
  - High Copper, Low Zinc Brass Castings for Dezincification Resistance
  - Non-Hold-Open Handle and No External Volume Adjustment to Ensure Water Conservation
  - Low Consumption Flush Accuracy Controlled by Para-Flo™ Technology
  - Diaphragm, Handle Packing, Stop Seat and Vacuum Breaker to be Molded from PERMEX™ Rubber Compound for Chloramine Resistance

Valve Body, Cover, Tailpiece and Control Stop shall be in conformance with ASTM Alloy Classification for Semi-Red Brass. Valve shall be in compliance to the applicable sections of ASSE 1037, ANSI/ASME 112.19.6, and Military Specification V-29193.

- ▶ **Variations**
  - TP** Trap Primer
  - YI** Two Wall Bumpers (for open front seat without cover)
  - YJ** Split Ring Pipe Support
  - YK** Solid Ring Pipe Support

See Accessories Section of the Sloan catalog for details on these and other Flushometer variations.



This space for Architect/Engineer approval

The information contained in this document is subject to change without notice.



Made in the U.S.A.

SLOAN VALVE COMPANY • 10500 SEYMOUR AVE. • FRANKLIN PARK, IL. 60131  
Ph: 1-800-9-VALVE-9 or 1-847-671-4300 • Fax: 1-800-447-8329 or 1-847-671-4380  
<http://www.sloanvalve.com>