

ESD-200 ESD-250

▶ **Description**

Sensor Operated Electronic Soap Dispenser.

▶ **Models**

- ESD-200 Plug-in Transformer Powered
- ESD-250 Battery Powered

▶ **Specifications**

Sensor Activated, Electronic, Chrome Plated Cast Brass Spout, Soap Dispenser with the following features:

- Modular One-piece Construction
- Active Infrared Sensor
- 120 VAC Plug-in Transformer (Model ESD-200)
- Low Battery Indicator (Model ESD-250)
- Mounting Hardware included
- Low Soap Level Indicator
- Easy Loading Disposable Soap Refills
- New Pump and Delivery Tube with each Refill

Unit supplied with one 800 ml. Container of Soap.

▶ **Electrical Specifications**

- ESD-200 — 120 VAC/6 VDC Plug-in Transformer
- ESD-250 — Four (4) "D" cell alkaline batteries

▶ **Special Finishes**

- PB** Polished Brass (PVD Finish)
- GP** Gold Plate (PVD Finish)
- BN** Brushed Nickel (PVD Finish)
- SF** Satin Chrome

▶ **Warranty**

3 year (limited)

▶ **ADA Compliant**



Benefits

- "Touch-free" operation improves handwashing hygiene
- Economical pre-measured soap dispensing saves soap and money
- Each easily installable soap refill cartridge features an integral soap path, providing a renewed mechanism for delivery with every soap replacement
- Flashing "red" light indicates soap replacement required for continuous soap dispensing
- Flashing "yellow" light indicates low battery, promotes continuous operation
- Encourages handwashing for improved sanitary protection
- Three-year Warranty
- Eliminates "untidiness" from refillable containers

| | |
|--------------------------------------------|----------------|
| This space for Architect/Engineer approval | |
| Job Name _____ | Date _____ |
| Model Specified _____ | Quantity _____ |
| Variations Specified _____ | |
| Customer/Wholesaler _____ | |
| Contractor _____ | |
| Architect _____ | |

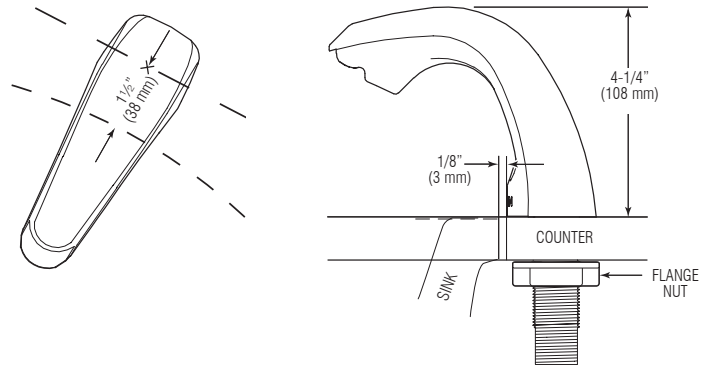
ESD-200 ESD-250

► Description

Sensor Operated Electronic Soap Dispenser.

► Models

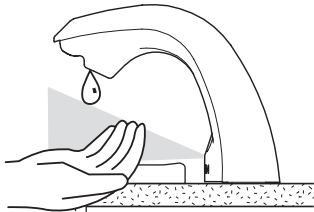
- ESD-200 Plug-in Transformer Powered
- ESD-250 Battery Powered



OPERATION

As the user's hands enter the beam's effective range, the beam is reflected back into the sensor receiver and activates the solenoid valve allowing a single soap application to flow from the spout.

- Flashing "red" light in the sensor window indicates low refill
- Flashing "yellow" light in the sensor window indicates low battery (Model ESD-250 only)



SOAP REPLACEMENT

When the soap Bottle is empty, a new Bottle must be used. The Bottle furnished with the unit is not designed to be refilled. Altering the Bottle and refilling it with soap will void the warranty of the product.

Soap Information

Replace with Sloan Part No. ESD-217 (800 ml. Bottle)

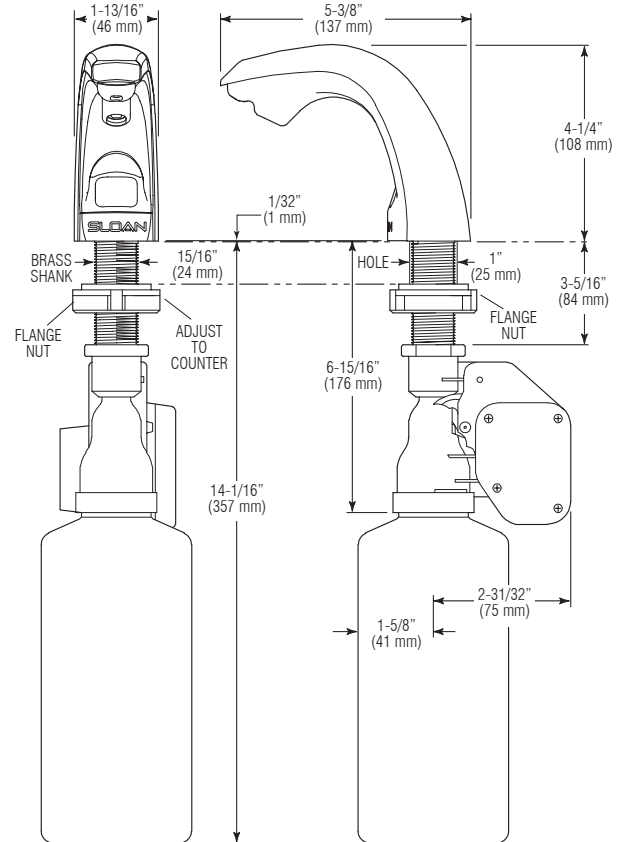
Can also be replaced with TC® OneShot® Soap Bottles (TC Stock #401311)

To order Replacement Soap Cartridges:

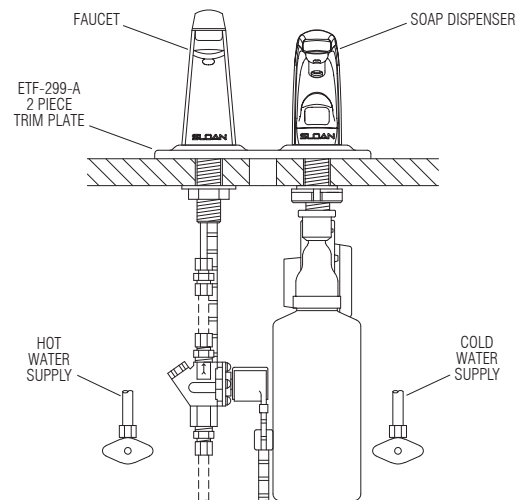
1-866-700-CLEAN (1-866-700-2532)

Or go to our website: www.optimasoap.com

Refills are also available through your local plumbing or janitorial supply distributor.



Models ESD-2085 and ESD-2080 Soap Dispenser and Faucet Combination



SLOAN VALVE COMPANY • 10500 SEYMOUR AVENUE • FRANKLIN PARK, IL 60131

Phone: 1-800-9-VALVE-9 or 1-847-671-4300 • Fax: 1-800-447-8329 or 1-847-671-4380 • <http://www.sloanvalve.com>