



S-3551

Single Lever Faucet

□ S-3551

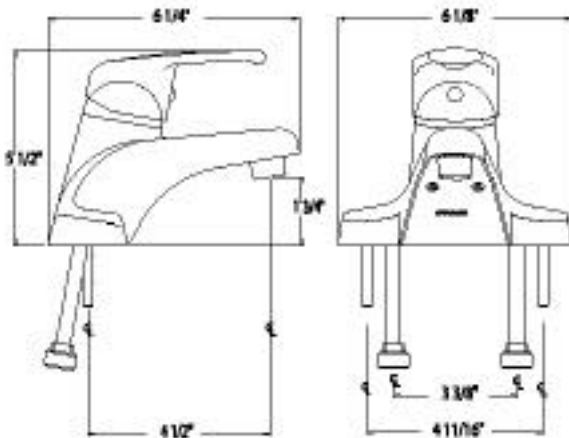
Speakman polished chrome plated, NSF compliant, vandal-resistant 4" centerset single lever faucet. All metal shell and belly plate. Long-life ceramic cartridge. Adjustable temperature limit and flow control. 1-1/4" pop-up drain. Water conserving aerator reduces flow to 2.2 gpm/8.4 lpm, to meet existing ANSI A112.18.1M Standard. Copper tube inlets with 1/2" compression threads. Meets CSA Standard.



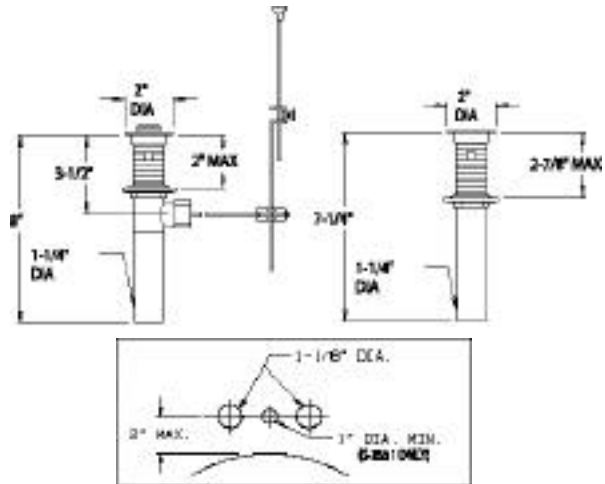
S-3561

□ S-3561

Speakman polished chrome plated, NSF compliant, vandal-resistant 4" centerset single lever faucet. All metal shell and belly plate. Long-life ceramic cartridge. Adjustable temperature limit and flow control. 1-1/4" strainer drain. Water conserving aerator reduces flow to 2.2 gpm/8.4 lpm, to meet existing ANSI A112.18.1M Standard. Copper tube inlets with 1/2" compression threads. Meets CSA Standard.



NOTE: All dimensions are in inches and are subject to change without notice.



OPTIONS

SUFFIX	DESCRIPTION
□ BOCA	Vandal-Resistant 0.5 gpm Flow Regulator
□ LD	Less Drain Assembly (S-3561 only)
□ LF	Laminar Flow Outlet

⌋ This space for Architect/Engineer approval.

Speakman Company

P.O. Box 191, Wilmington, DE 19899-0191 USA
1-800-537-2107 Fax: 1-800-977-2747
www.speakmancompany.com

