

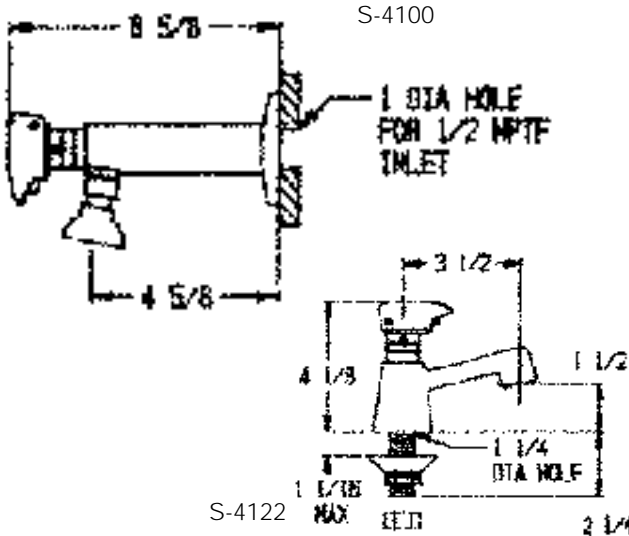
EASY-PUSH®



S-4100



S-4122



Metering Lavatory Fittings

□ S-4100

Speakman polished chrome plated all brass EASY-PUSH metering wash-up fitting. 4 5/8" from spray outlet to finished wall. EASY-PUSH handle with brass yoke. Concealed cycle adjustment without shutting off water supply. Non-hammering operating unit protected by monel mesh screens. Vandal-resistant standard. Water conserving AUTOFLO® device reduces flow to .25 gpc/.946 lpc, to meet existing ANSI A112.18.1M Standards.

□ S-4122/Plain

□ S-4123/Hot

□ S-4124/Cold

Speakman polished chrome plated all brass EASY-PUSH metering wash-up fitting with rigid shanks. Integral brass spout measuring 3 1/2" from center of inlet to center of outlet. EASY-PUSH handle with brass yoke. Concealed cycle adjustment without shutting off water supply. Non-hammering operating unit protected by monel mesh screens. Vandal-resistant standard. Water conserving AUTOFLO device reduces flow to .25 gpc/.946 lpc, to meet existing ANSI A112.18.1M Standards.

OPTIONS

SUFFIX	DESCRIPTION
□ BOCA	Vandal-Resistant 0.5 gpm Flow Regulator
□ PALM	Palm Buttons (not ADA approved)



NOTE: Inlets are sized for either coupling or sweat connections. Unless otherwise specified, all inlets and outlets are 1/2" NPSM and all dimensions are in inches and are subject to change without notice.

This space for Architect/Engineer approval. _____

Speakman Company

P.O. Box 191, Wilmington, DE 19899-0191 USA
1-800-537-2107 Fax: 1-800-977-2747

www.speakmancompany.com

