

SENSORFLO®



Battery Powered Lavatory Faucet, on 4" Centers

GENERAL SPECIFICATION

Polished chrome plated. Solenoid with built-in filter. Two 3-volt DC lithium batteries with waterproof connectors housed above-counter in spout. Spout consists of all metal chassis and removable cover. Low battery warning light. Vandal-resistant 60-second time out feature. Water conserving vandal-resistant flow control reduces flow to 2.2 gpm/8.4 lpm to meet requirements of ANSI A112.18.1M for flow rates. NOTE: Stainless steel flexible hoses, 3/8" compression, not included, see options below.

☐ S-8710

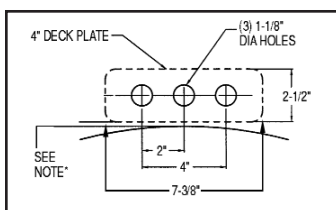
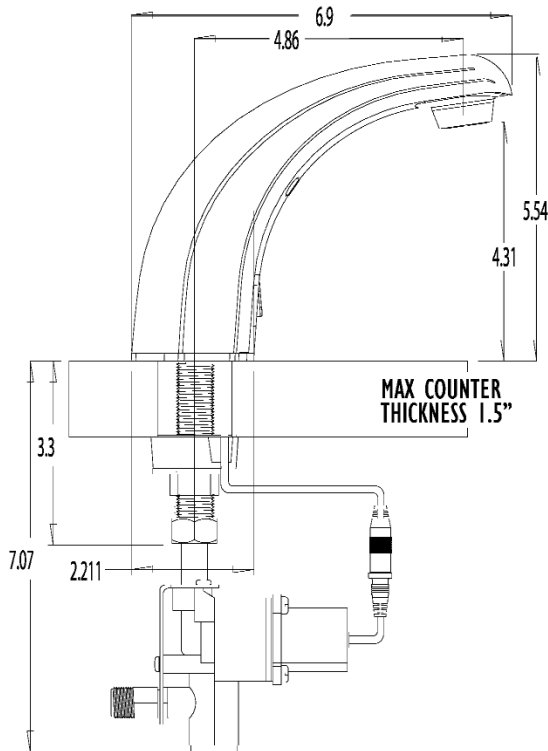
Low profile faucet with 4" deck plate.

☐ S-8711

Low profile faucet with 4" deck plate, under counter mixer with built-in backflow check valves.

OPTIONS

SUFFIX	DESCRIPTION
☐ BO	Vandal-resistant 0.5 gpm flow control
☐ HS	All hoses required with mixer options
☐ HTS	1 (one) hose for tempered water systems (S-8710 only)
☐ LF	Laminar flow outlet 2.2 gpm
☐ PVD	Polished brass PVD finish
☐ T	Tee with check valves (S-8710 only)
☐ TMV	Under-counter thermostatic mixing valve (S-8710 only)
☐ VRS	Vandal-resistant screws for removable cover and custom wrench



NOTE: POSITION FAUCET AS CLOSE TO THE EDGE OF THE SINK AS POSSIBLE. ENSURE ADEQUATE CLEARANCE FOR WIRE PROTECTOR, WIRES, WASHERS AND NUT.

This space for Architect/Engineer approval.

SENSORFLO and AUTOFLO — Registered T.M. Speakman Company
© Copyright, Speakman Company, 2003

Speakman Company

P.O. Box 191, Wilmington, DE 19899-0191 USA
1-800-537-2107 Fax: 1-800-977-2747

www.speakmancompany.com

