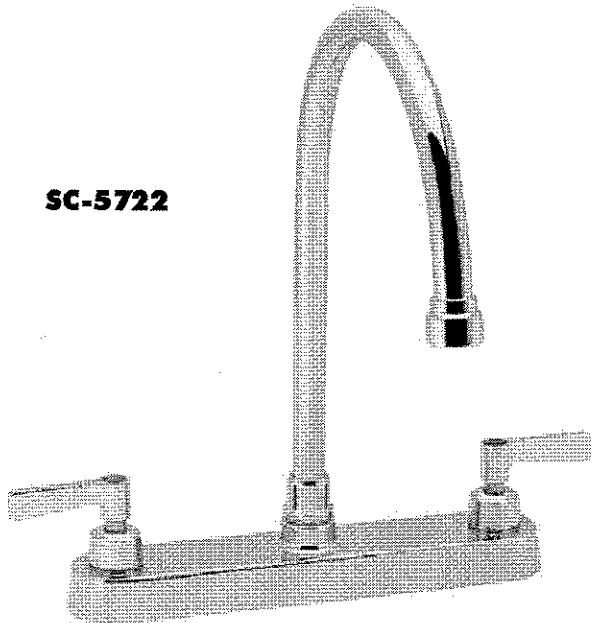


SPEAKMAN®

COMMANDER®

SC-5722



Deck Mounted Kitchen Sink Fittings

SC-5722

Polished chrome plated Commander 8" deck fitting with 1/4 turn ceramic cartridges covered by a 25-year warranty Brass body with rigid shanks. Vandal-resistant lever handles with color-coded indexes Accomodates installations up to 3/4" thick. 8" deep gooseneck spout, rigid or swivel Vandal-resistant flow control reduces flow to 2.2 gpm/8.4 lpm. Meets existing ANSI A112.18.1M and NSF61 Standards

OPTIONS

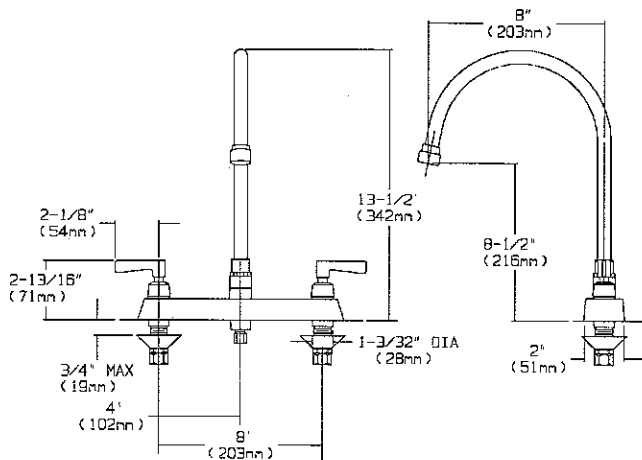
SUFFIX	DESCRIPTION
--------	-------------

- BO Vandal-resistant 0.5 gpm flow control
- FC 2.0 gpm laminar flow control in base of spout
- HS Hose & spray attachment
- LF 2.2 gpm laminar flow vandal-resistant flow control
- SO Rose spray outlet
- 4* 3-3/4" deep spread gooseneck spout, rigid or swivel
- 5* 5-1/4" deep spread gooseneck spout, rigid or swivel
- SS* 9" deep tubular swing spout, rigid or swivel
- VB6* 6" deep rigid vacuum breaker spout
- VB8* 8" deep rigid vacuum breaker spout

VACUUM BREAKER OPTIONS

SUFFIX	DESCRIPTION
--------	-------------

- ST Serrated tip
- SW Swivel spout



* See page KF9 for optional spout specifications

This space for Architect/Engineer approval.

Commander — Registered T.M. Speakman Company
© Copyright, Speakman Company, 2005

Speakman Company

P.O. Box 191, Wilmington, DE 19899-0191 USA
1-800-537-2107 Fax: 1-800-977-2747

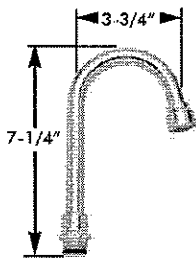
www.speakmancompany.com

KF3

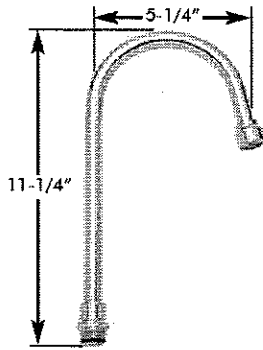
NOTE: INLETS ARE SIZED FOR EITHER COUPLING OR SWEAT CONNECTIONS. ALL DIMENSIONS ARE IN INCHES AND ARE SUBJECT TO CHANGE WITHOUT NOTICE



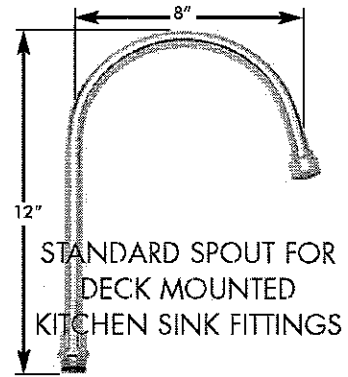
SPEAKMAN®



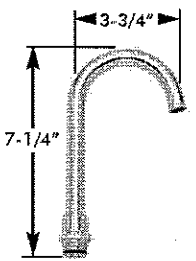
Spout -4, rigid or swivel
3-3/4" deep gooseneck



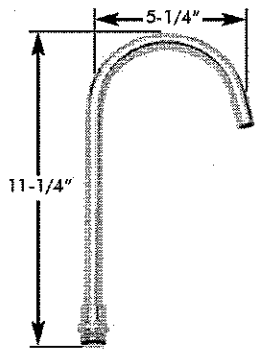
Spout -5, rigid or swivel
5-1/4" deep gooseneck



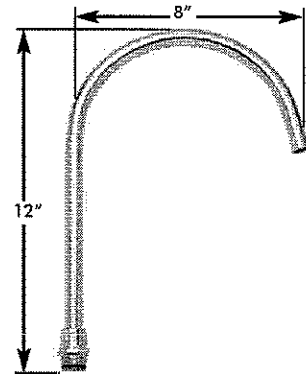
Spout -8, rigid or swivel
8" deep gooseneck



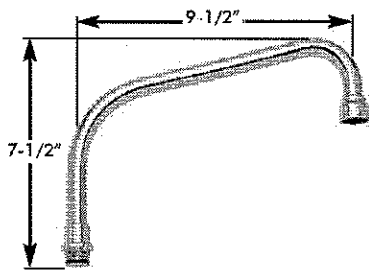
Spout -4FC, rigid or swivel
3-3/4" deep plain end gooseneck;
laminar flow in base of spout



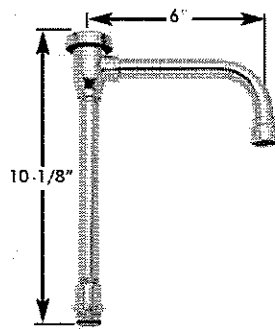
Spout -5FC, rigid or swivel
5-1/4" deep plain end gooseneck;
laminar flow in base of spout



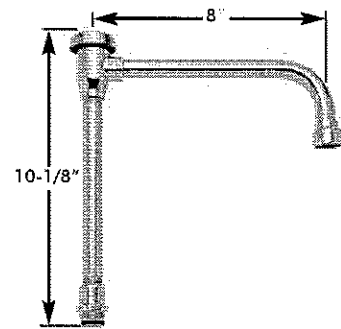
Spout -8FC, rigid or swivel
8" deep plain end gooseneck;
laminar flow in base of spout



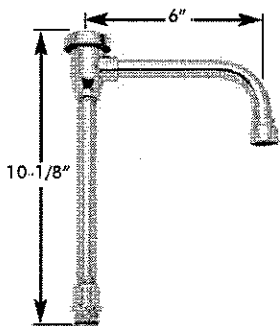
Spout -SS, rigid or swivel
9" deep tubular swing spout



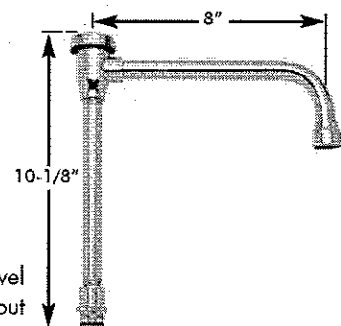
Spout -VB6, rigid
6" deep rigid vacuum breaker spout



Spout -VB8, rigid
8" deep rigid vacuum breaker spout



Spout -SWVB6, swivel
6" deep swivel vacuum breaker spout



Spout -SWVB8, swivel
8" deep swivel vacuum breaker spout