

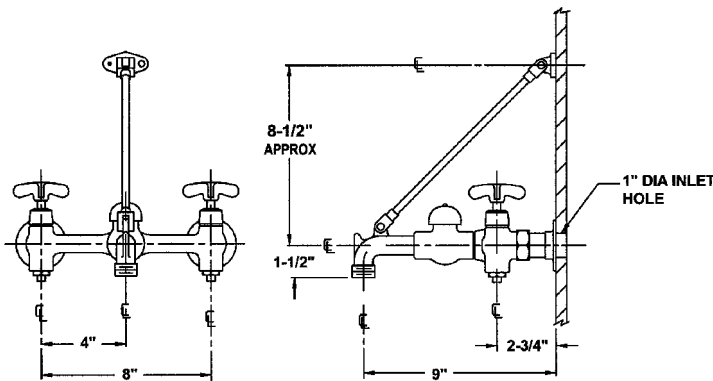
COMMANDER®



SC-5811



SC-5811-F



NOTE: Inlets are 1/2 NPTM. All dimensions are in inches unless otherwise specified and are subject to change without notice.

This space for Architect/Engineer approval.

Cast Brass Service Sink Fittings




SC-5811

Speakman polished chrome plated cast brass COMMANDER service sink fitting with PERFECT® valves. 1/4 turn ceramic cartridges covered by 25 year Silver warranty. Integral stops. Vandal-resistant four arm handles with color-coded indexes. Cast brass nozzle with 3/4" hose thread, pail hook and top brace. Brass vacuum breaker. Brass top brace assembly with wall flange and mounting screws. Distance from finished wall to nozzle outlet is 9" . 8" centers with +/- 1/8" adjustment. Adjustable threaded brass wall flanges. Vandal-resistant standard. 1/2" NPTF inlets. Meets CSA and ASSE-1001 standards.

SC-5811-RCP

Speakman rough chrome plated cast brass COMMANDER service sink fitting with PERFECT® valves. 1/4 turn ceramic cartridges covered by 25 year Silver warranty. Integral stops. Vandal-resistant four arm handles with color-coded indexes. Cast brass nozzle with 3/4" hose thread, pail hook and top brace. Brass vacuum breaker. Brass top brace assembly with wall flange and mounting screws. Distance from finished wall to nozzle outlet is 9" . 8" centers with +/- 1/8" adjustment. Adjustable threaded brass wall flanges. Vandal-resistant standard. 1/2" NPTF inlets. Meets CSA and ASSE-1001 standards.

OPTIONS

SUFFIX	DESCRIPTION	
□ LEV	Lever Handle	
□ LVB	Less Vacuum Breaker with Plain End Spout	
□ 4WH	4" Wrist Handles	 4WH
□ 6WH	6" Wrist Handles	 6WH
□ 5'H	5' Hose with Hook	 5'H

Speakman Company

P.O. Box 191, Wilmington, DE 19899-0191 USA
1-800-537-2107 Fax: 1-800-977-2747

www.speakmancompany.com

