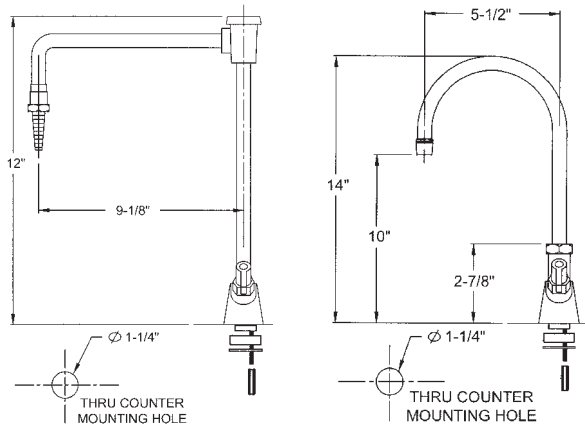




SC-7069



**SC-7069-LVB
SC-7069-LVB-R**



NOTE: Unless otherwise specified, all inlets and outlets are 1/2" NPTF. Unless otherwise specified, all dimensions are in inches and are subject to change without notice.

Healthcare Fittings

□ SC-7069

Polished chrome plated double service fitting with lever handles. Brass spout, rigid with serrated tip and vacuum breaker. 1/2" NPTF inlet. Flow control device reduces flow to 2.2 gpm/8.4 lpm maximum to meet existing ANSI A112.18.1M Standard.

□ SC-7069-LVB

Polished chrome plated double service fitting with lever handles. Brass gooseneck spout, swivel. 1/2" NPTF inlet. Flow control device reduces flow to 2.2 gpm/8.4 lpm maximum to meet existing ANSI A112.18.1M Standard.

□ SC-7069-LVB-R

Polished chrome plated double service fitting with lever handles. Brass gooseneck spout, rigid. 1/2" NPTF inlet. Flow control device reduces flow to 2.2 gpm/8.4 lpm maximum to meet existing ANSI A112.18.1M Standard.