

SPEAKMAN®

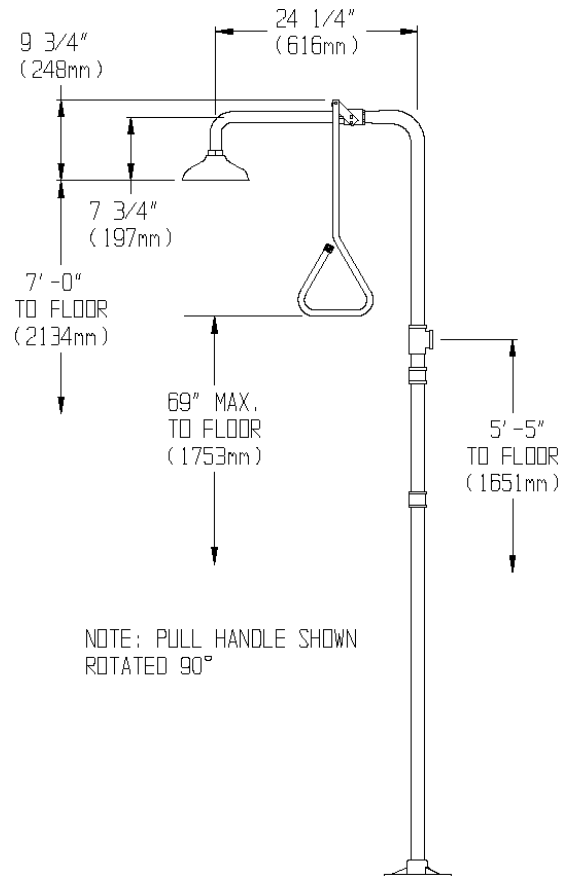
SE-253 LIFESAVER® EMERGENCY SHOWER

DESCRIPTION

SE-253 Lifesaver Emergency Shower features a floor mounted emergency deluge shower supplied with stay-open full flow ball valve activated by triangular pull rod.

SPECIFICATIONS

SHOWER HEAD: 8" CYCOLAC® Yellow Plastic.
FLOW CONTROL: Internal 20 gpm Regulator.
VALVE: 1" NPT Female Brass, Chrome-Plated. Stay-Open Valve.
ACTIVATOR: Powder Coated Yellow, Aluminum Triangular Pull Rod.
STANCHION: 1-1/4" IPS Steel Piping.
INLET: 1-1/4" NPT Female.
FINISH: Safety Green.



Universal Emergency Sign Included
Compliance: Meets ANSI Z358.1-1998

OPTIONS

- Stainless Steel Pull Rod (SPR)
- Extended Pull Rod (XPR)
- Stainless Steel Shower Head (SSH)
- Brass Shower Head (BH)
- Hand Held Spray (HS)
- Flow Switch (FLW)
- Stainless Steel Ball Valve (SSBV)
- Polished Chrome Finish (PC)

Job Name _____
Location _____
Architect/Engineer _____
Sales Representative _____
Wholesaler _____
Date _____ Model # _____