

# SENTINEL MARK II<sup>®</sup> ROYALE<sup>™</sup>

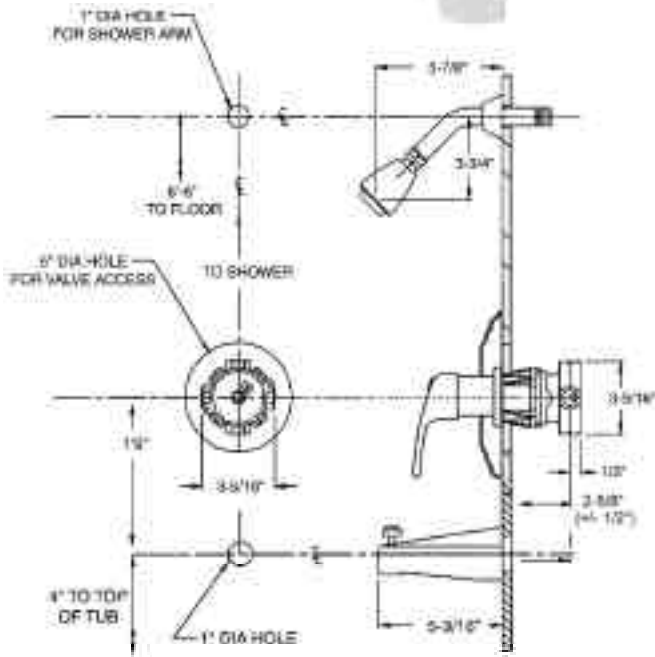
SR-1630-AF



## Anti-Scald Balanced Pressure Shower & Bath

### □ SR-1630-AF


Speakman ROYALE concealed anti-scald balanced pressure shower and bath. Chrome plated wall plate. Independent center sleeve allows up to 1" of rough-in variation. Adjustable temperature limit stop. Brass body. Noryl<sup>®</sup> bonnet. Pressure balancing module. Can be installed back-to-back. Roughing-in template. S-2270-AF COSMOPOLITAN<sup>®</sup> showerhead with flow control device reduces flow to 2.5 gpm/9.46 lpm maximum to meet existing ANSI A112.18.1M Standard. S-2500 shower arm and wall flange. S-1556 diverter tub spout. Four-port valve with 1/2" NPTF inlets and outlets. Furnished with 1/2" pipe plug. Meets ASSE 1016, 1989 Standard.



NOTE: Unless otherwise specified, all inlets and outlets are 1/2" NPTF. All dimensions are in inches unless otherwise specified and are subject to change without notice.

This space for Architect/Engineer approval.

### OPTIONS

SUFFIX	DESCRIPTION
□ SCS	Spring Check Stops
□ SS	Separate Stops
□ VR	Vandal-Resistant (S-2252, S-2253 only)
□ 2	S-2252-AF ANYSTREAM <sup>®</sup> Showerhead  2
□ 3	S-2253-AF ANYSTREAM Showerhead  3

### Speakman Company

P.O. Box 191, Wilmington, DE 19899-0191 USA  
1-800-537-2107 Fax: 1-800-977-2747

www.speakmancompany.com

