

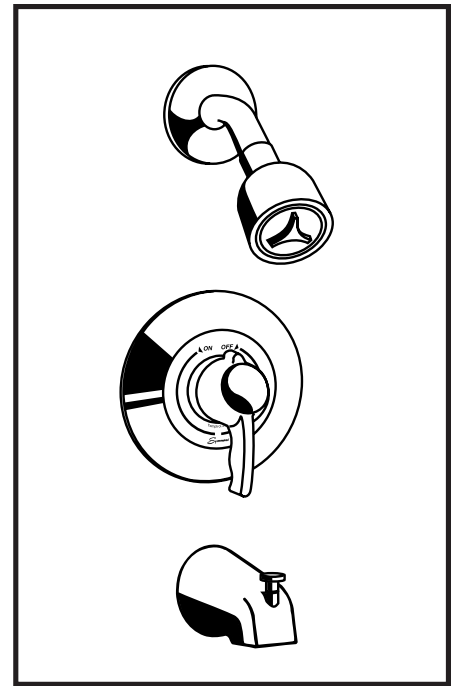
25-2 Temptrol® 2000 Tub and Shower System

Temptrol 2000 Pressure-Balancing mixing valve with built-in choke and adjustable stop screw to limit handle turn. Diverter spout, Clear-Flo shower head with arm and flange.

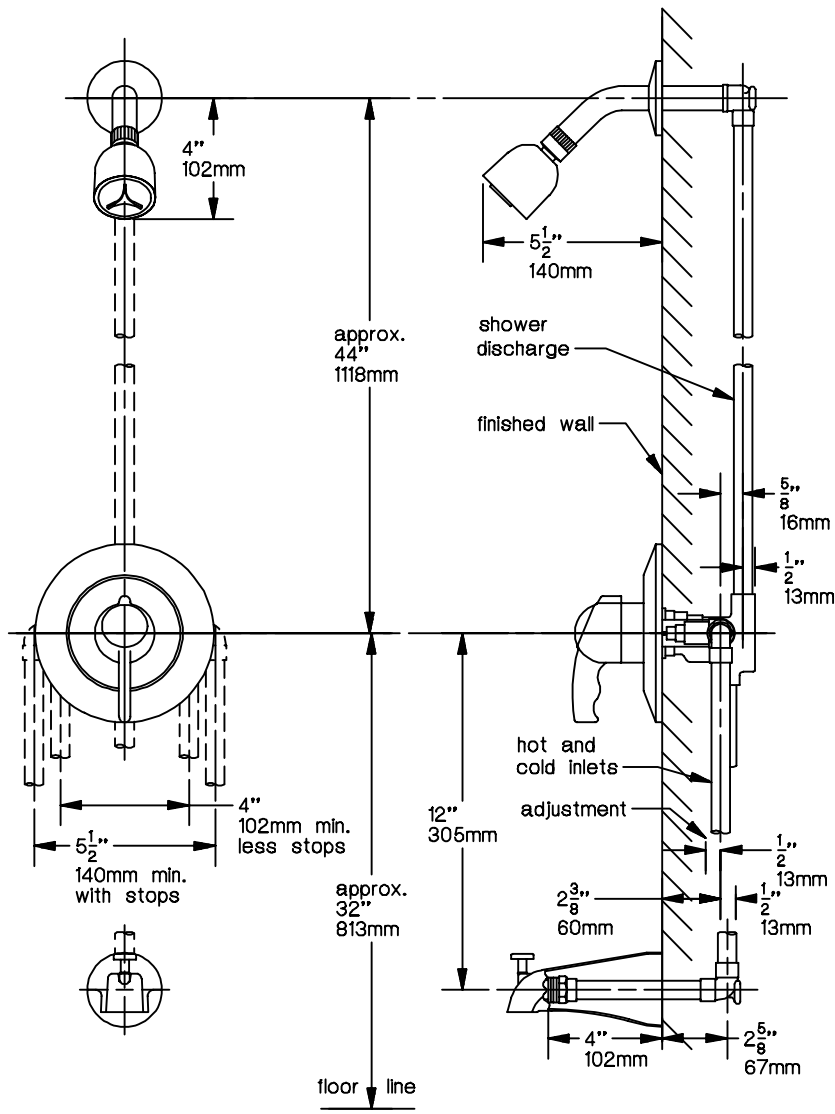
Modifications:

Add:

- Suffix X: Integral service stops - allows water shutoff at valve for service.
- Suffix SS: Slip spout



SYMMONS PRODUCTS MEET
ANSI A112.18.1M, EPA '92
AND ALL KNOWN FLOW RATE
REQUIREMENTS.
Showerheads and Hand Showers
2.5 GPM (9.5 L/min)



Job/Location

Engineer

Contractor

This drawing to be used for rough-in installation only. All floor to center dimensions optional. Concealed piping and fittings not furnished by manufacturer. For ADA compliance (Americans with Disabilities Act) consult ADAAG or your state regulations for proper product choice and mounting locations. For complete installation, adjustment and service information, see installation instructions.

SYMMONS INDUSTRIES, INC.
31 Brooks Drive, Braintree, MA 02184
TEL: 1-800-SYMMONS, (781) 848-2250 FAX: 1-800-961-9621, (781) 843-3849
website: www.symmons.com

