

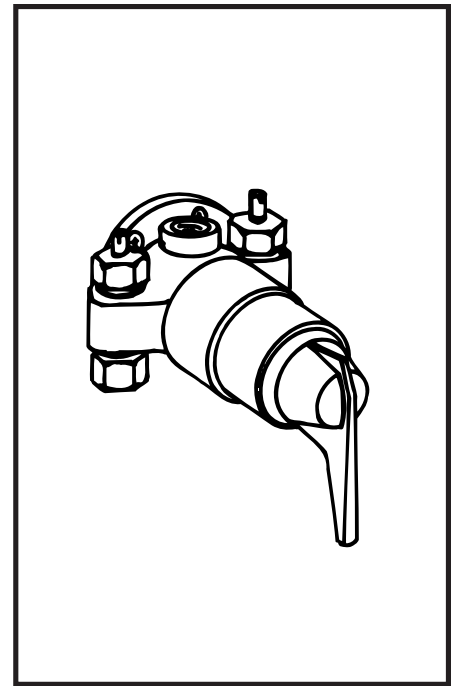
4-521 Exposed Safetymix® Shower Valve

Exposed Safetymix Pressure-Balancing mixing valve with lever handle and adjustable stop screw to limit handle turn. Wall flange and integral unions.

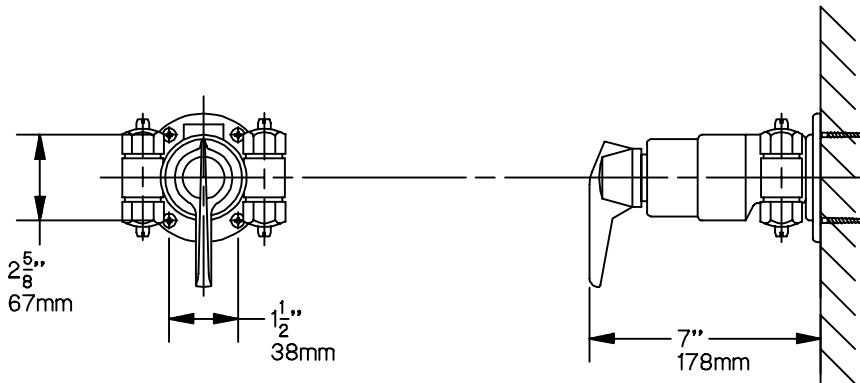
Modifications:

Add:

- Suffix X: Integral service stops
- Suffix CX: Integral check stops
- Suffix W: Heavy duty wall flange
- Suffix WA: Heavy duty wall flange with anchor plate



SYMMONS PRODUCTS MEET
ANSI A112.18.1M, EPA '92
AND ALL KNOWN FLOW RATE
REQUIREMENTS.
Showerheads and Hand Showers
2.5 GPM (9.5 L/min)



Job/Location

.....
.....

Engineer

.....
.....

Contractor

.....
.....

This drawing to be used for rough-in installation only. All floor to center dimensions optional. Concealed piping and fittings not furnished by manufacturer. For ADA compliance (Americans with Disabilities Act) consult ADAAG or your state regulations for proper product choice and mounting locations.

SYMMONS INDUSTRIES, INC.
31 Brooks Drive, Braintree, MA 02184
TEL: 1-800-SYMMONS, (781) 848-2250 FAX: 1-800-961-9621, (781) 843-3849
website: www.symmons.com

