

THERMIXER®

Thermostatic Mixing Valve

Thermixer thermostatic mixing valve, all bronze removable piston and thermal motor. Standard finish rough bronze, inlets and outlet IPS unless indicated otherwise.

Model No.	Inlets	Outlet
<input type="checkbox"/> 5-110-CK*	3/8" compr. (10mm)	3/8" compr. (10mm)
<input type="checkbox"/> 5-120	1/2" (13mm)	1/2" (13mm)
<input type="checkbox"/> 5-130	3/4" (19mm)	3/4" (19mm)
<input type="checkbox"/> 5-140	1" (25mm)	1" (25mm)

Modifications:

- Suffix W:** Wall mounting bracket
- Suffix CK:** Seperate checks*
- Suffix NI:** Rough chrome finish

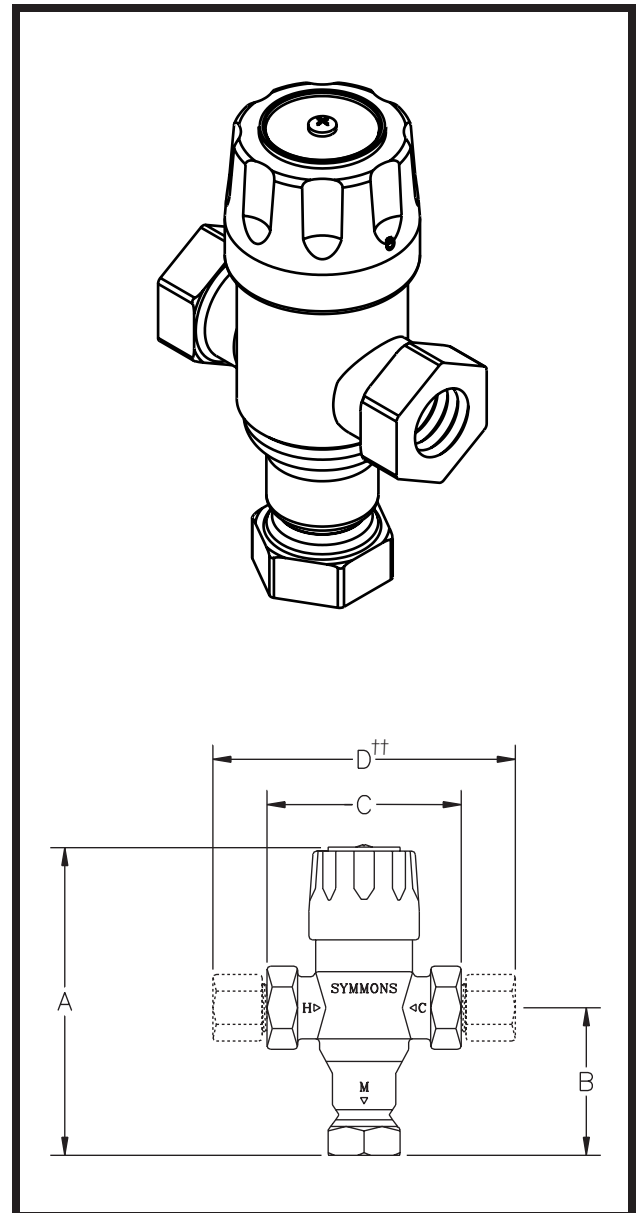
*Model 5-110 is furnished with checks as standard

†Checks are recommended to prevent by-pass when a Thermixer is installed with a downstream shut-off device.

Physical Dimensions

Model No.	A	B	C	D
5-110-CK*	5 1/2" (140mm)	2 7/8" (73mm)	3 5/16" (84mm)	5 5/16" (135mm)
5-120	5 1/2" (140mm)	2 1/2" (64mm)	3 5/16" (84mm)	5 1/4" (133mm)
5-130	5 1/2" (140mm)	2 1/2" (64mm)	3 5/16" (84mm)	5 3/4" (146mm)
5-140	5 1/2" (140mm)	2 1/2" (64mm)	3 5/16" (84mm)	6" (152mm)

†† Dimension signifies unit with checks



Job/Location

.....

Engineer

.....

Location

.....

SYMMONS INDUSTRIES, INC.
 31 Brooks Drive, Braintree, MA 02184-3804
 TEL: 1-800-SYMMONS, (781) 848-2250 FAX: 1-800-961-9621, (781) 843-3849
 Web site: www.symmons.com

