

TEMPCONTROL® Thermostatic Mixing Valve and Piping Assembly ("A" Series)

Tempcontrol thermostatic controller with swivel action check stops, removable cartridge with strainer, stainless steel piston and liquid fill thermal motor bellows element mounted out of water. Volume control shut off valve, bimetal dial thermometer 3" (76mm) face, range 20°–240°F (-7°–116°C), brass pipe, fittings and unions. Standard rough bronze finish.

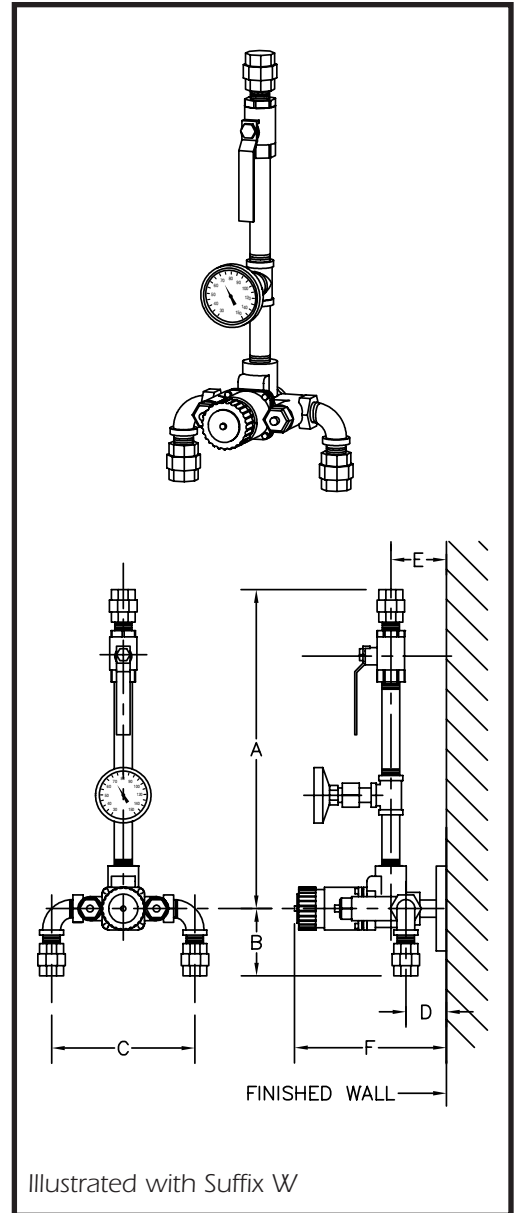
Model No.	Inlets	Outlet
<input type="checkbox"/> 5-102A	1/2" (13mm)	1/2" (13mm)
<input type="checkbox"/> 5-200A	3/4" (19mm)	3/4" (19mm)
<input type="checkbox"/> 5-400A	3/4" (19mm)	1" (25mm)
<input type="checkbox"/> 5-500A	1" (25mm)	1 1/4" (32mm)
<input type="checkbox"/> 5-700A	1 1/4" (32mm)	1 1/2" (38mm)
<input type="checkbox"/> 5-900A	1 1/2" (38mm)	1 1/2" (38mm)
<input type="checkbox"/> 5-1000A	1 1/2" (38mm)	2" (51mm)

Modifications:

- Suffix 1:** For use in photographic or x-ray work (available as model 5-200A-1)
- Suffix P:** Polish chrome highlight finish
- Suffix W:** Wall mounting bracket
- Suffix V:** Vacuum breaker (not shown)
- Suffix RC:** Spare cartridge – recommended for non-interrupted service

Physical Dimensions

Model No.	A	B	C	D	E	F
5-102A	12 5/8" (321mm)	1 1/2" (38mm)	3 1/2" (89mm)	2 1/8" (54mm)	2 1/8" (54mm)	8" (203mm)
5-200A	17 1/8" (435mm)	3 9/16" (90mm)	8 1/2" (216mm)	1 7/8" (48mm)	2 5/8" (67mm)	7 1/4" (184mm)
5-400A	17 3/8" (441mm)	3 9/16" (90mm)	8 1/2" (216mm)	1 7/8" (48mm)	2 7/16" (62mm)	8 1/4" (210mm)
5-500A	19 1/8" (486mm)	3 15/16" (100mm)	11" (279mm)	1 5/8" (41mm)	2 7/8" (73mm)	8 5/8" (219mm)
5-700A	22 1/2" (572mm)	4 11/16" (119mm)	12" (305mm)	1 5/8" (41mm)	2 7/8" (73mm)	8 5/8" (219mm)
5-900A	22 3/4" (579mm)	2 11/16" (68mm)	12" (305mm)	2 9/16" (65mm)	2 9/16" (65mm)	10 5/16" (262mm)
5-1000A	22 5/8" (575mm)	2 11/16" (68mm)	12" (305mm)	2 9/16" (65mm)	2 9/16" (65mm)	10 5/16" (262mm)



Illustrated with Suffix W

Job/Location

.....
.....

Engineer

.....
.....

Location

.....
.....

SYMMONS INDUSTRIES, INC.
31 Brooks Drive, Braintree, MA 02184-3804
TEL: 1-800-SYMMONS, (781) 848-2250 FAX: 1-800-961-9621, (781) 843-3849
Web site: www.symmons.com

© 1997-2003 Symmons Industries, Inc., 100603

