

# TEMPCONTROL® Thermostatic Mixing Valve and Piping in Cabinet ("B" Series)

**Tempcontrol** thermostatic controller with swivel action check stops, removable cartridge with strainer, stainless steel piston and liquid fill thermal motor bellows element mounted out of water. Volume control shut off valve, bimetal dial thermometer 3" (76mm) face, range 20°–240°F (-7°–116°C), brass pipe, fittings and unions to cabinet limits. All interior parts in standard rough bronze finish. Bottom supplies, top outlet. Cabinet to be 16 gauge (1.6mm) body, 12 gauge (2.7mm) door, hinged left hand door with cylinder lock. Standard cabinet fully recessed steel with baked white enamel finish.

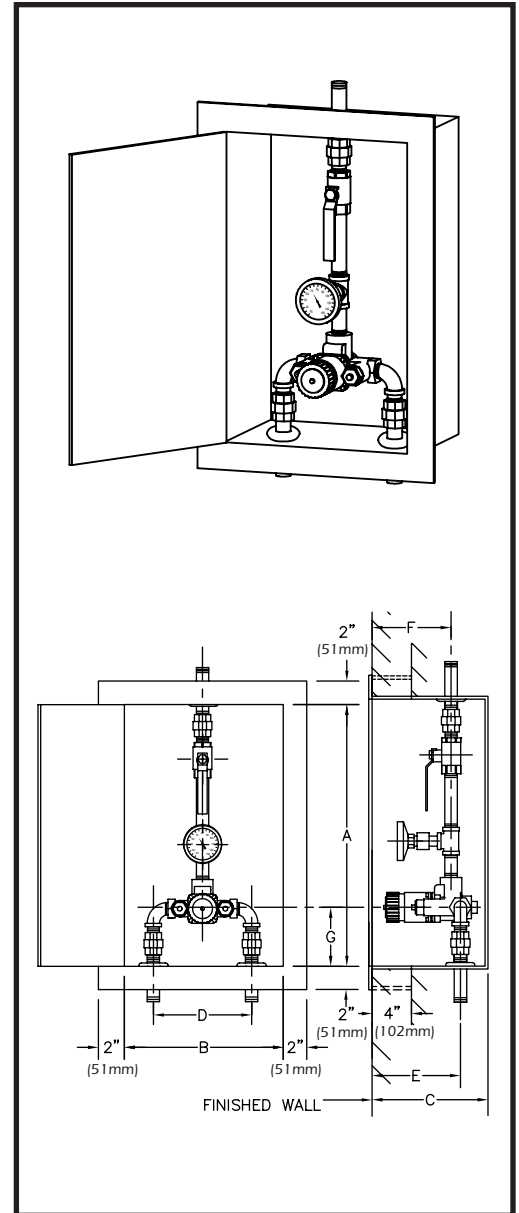
Model No.	Inlets	Outlet
<input type="checkbox"/> 5-102B	1/2" (13mm)	1/2" (13mm)
<input type="checkbox"/> 5-200B	3/4" (19mm)	3/4" (19mm)
<input type="checkbox"/> 5-400B	3/4" (19mm)	1" (25mm)
<input type="checkbox"/> 5-500B	1" (25mm)	1 1/4" (32mm)
<input type="checkbox"/> 5-700B	1 1/4" (32mm)	1 1/2" (38mm)
<input type="checkbox"/> 5-900B	1 1/2" (38mm)	1 1/2" (38mm)
<input type="checkbox"/> 5-1000BW	1 1/2" (38mm)	2" (51mm)

## Modifications:

- Suffix M:** Surface mounted cabinet
- Suffix S:** Semi-recessed cabinet has 4" (102mm) return flange
- Suffix T:** Stainless steel cabinet
- Suffix V:** Vacuum breaker (not shown)
- Suffix RC:** Spare cartridge – recommended for non-interrupted service

## Physical Dimensions

Model No.	A	B	C	D	E	F	G
5-102B	22 3/8" (568mm)	13 3/4" (349mm)	10" (254mm)	3 1/2" (89mm)	7 7/8" (200mm)	7 7/8" (200mm)	6" (152mm)
5-200B	22 3/8" (568mm)	13 3/4" (349mm)	10" (254mm)	8 1/2" (216mm)	8" (203mm)	7 1/4" (184mm)	4 1/4" (108mm)
5-400B	22 3/8" (568mm)	13 3/4" (349mm)	10" (254mm)	8 1/2" (216mm)	8" (203mm)	7 1/4" (184mm)	4 1/4" (108mm)
5-500B	31" (787mm)	17" (432mm)	10 1/2" (267mm)	11" (279mm)	8" (203mm)	6 3/4" (171mm)	4 3/4" (121mm)
5-700B	31" (787mm)	17" (432mm)	10 1/2" (267mm)	12" (305mm)	8" (203mm)	6 3/4" (171mm)	7" (178mm)
5-900B	27" (686mm)	19" (483mm)	11 1/2" (292mm)	12" (305mm)	6 3/4" (171mm)	6 3/4" (171mm)	3 1/2" (89mm)
5-1000B	27" (686mm)	19" (483mm)	11 1/2" (292mm)	12" (305mm)	6 3/4" (171mm)	6 3/4" (171mm)	3 1/2" (89mm)



## Job/Location

.....  
 .....

## Engineer

.....  
 .....

## Location

.....  
 .....

SYMMONS INDUSTRIES, INC.  
 31 Brooks Drive, Braintree, MA 02184-3804  
 TEL: 1-800-SYMMONS, (781) 848-2250 FAX: 1-800-961-9621, (781) 843-3849  
 Web site: www.symmons.com

