

96-300-B30-L-V Temptrol® Shower System

Temptrol Pressure-Balancing mixing valve with lever handle, adjustable stop screw to limit handle turn. Wall/hand shower with in-line vacuum breaker, flexible 5' metal hose, wall connection and flange, 30" slide bar for hand shower mounting.

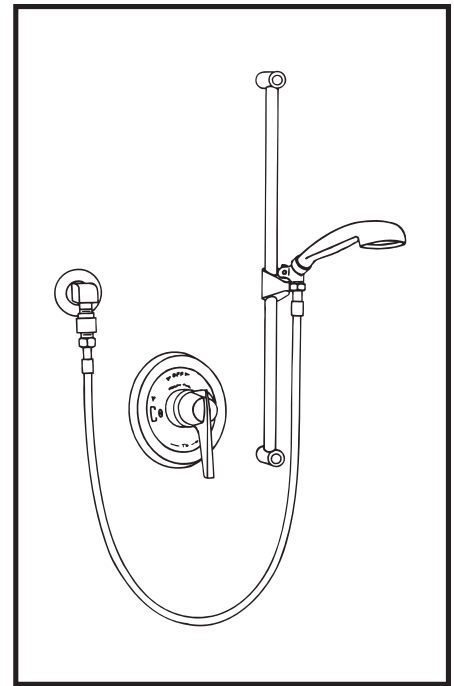
Modifications:

Add:

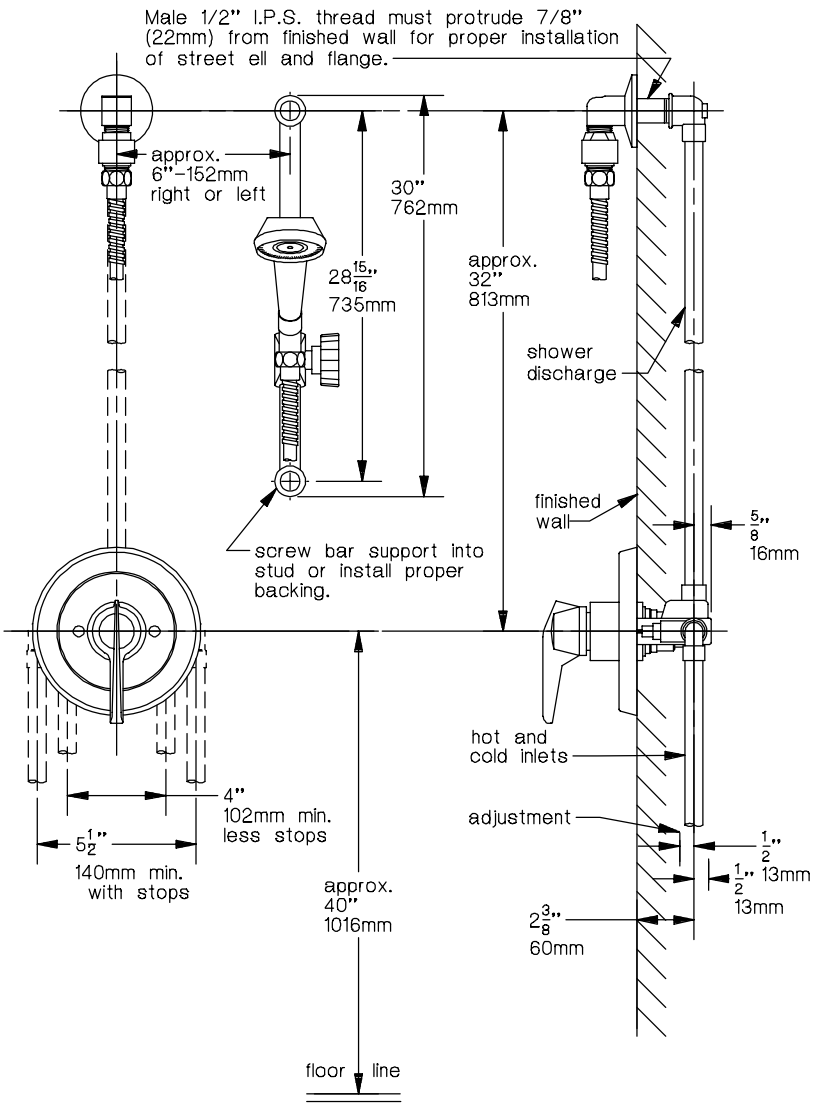
- Suffix X: Integral service stops - allows water shutoff at valve for service.

Delete:

- Suffix B30: 2 wall hooks in place of 30" bar.



SYMMONS PRODUCTS MEET
ANSI A112.18.1M, EPA '92
AND ALL KNOWN FLOW RATE
REQUIREMENTS.
Showerheads and Hand Showers
2.5 GPM (9.5 L/min)



Job/Location

.....

.....

Engineer

.....

.....

Contractor

.....

.....

This drawing to be used for rough-in installation only. All floor to center dimensions optional. Concealed piping and fittings not furnished by manufacturer. **Dimensions are for ADA compliance (Americans with Disabilities Act).** Consult ADAAG or your state regulations for proper product choice and mounting locations. For complete installation, adjustment and service information, see installation instructions.

SYMMONS INDUSTRIES, INC.
31 Brooks Drive, Braintree, MA 02184
TEL: 1-800-SYMMONS, (781) 848-2250 FAX: 1-800-961-9621, (781) 843-3849
website: www.symmons.com

