

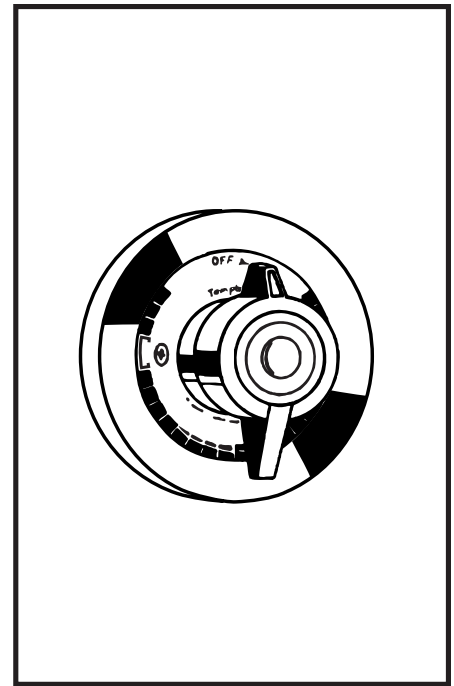
BP-46-1 Temptrol® II Shower Valve

Temptrol II Pressure-Balancing mixing valve with lever handle and adjustable stop screw to limit handle turn.

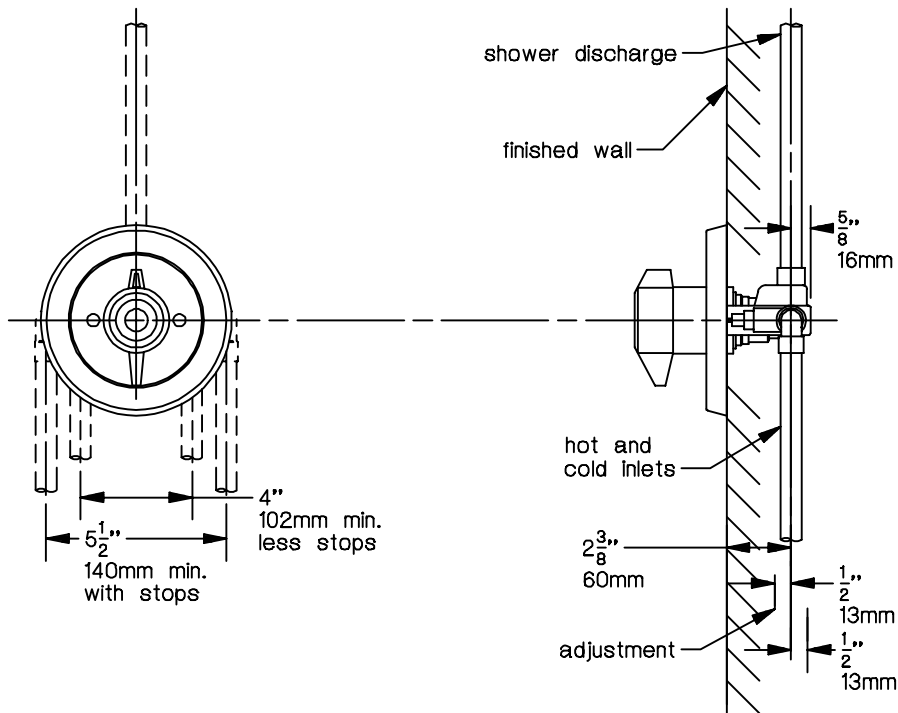
Modifications:

Add:

- Suffix X: Integral service stops - allows water shutoff at valve for service
- Suffix L: Single blade lever handle



SYMMONS PRODUCTS MEET
ANSI A112.18.1M, EPA '92
AND ALL KNOWN FLOW RATE
REQUIREMENTS.
Showerheads and Hand Showers
2.5 GPM (9.5 L/min)



Job/Location
.....
.....

Engineer
.....
.....

Contractor
.....
.....

This drawing to be used for rough-in installation only. All floor to center dimensions optional. Concealed piping and fittings not furnished by manufacturer. For ADA compliance (Americans with Disabilities Act) consult ADAAG or your state regulations for proper product choice and mounting locations. For complete installation, adjustment and service information, see installation instructions.

SYMMONS INDUSTRIES, INC.
31 Brooks Drive, Braintree, MA 02184
TEL: 1-800-SYMMONS, (781) 848-2250 FAX: 1-800-961-9621, (781) 843-3849
website: www.symmons.com



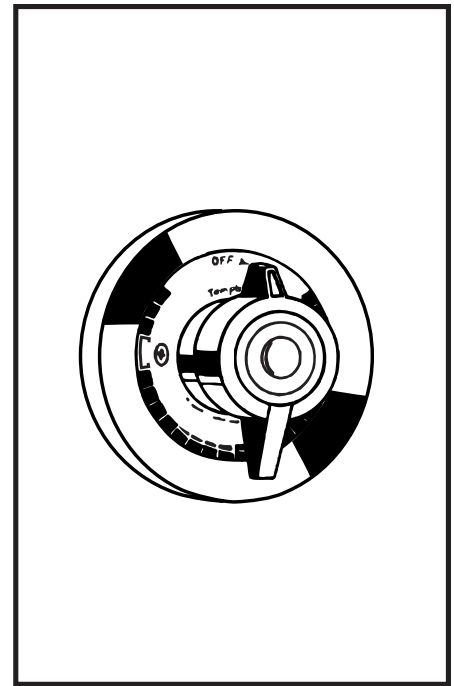
BP-46-2 Temptrol® II Tub and Shower Valve

Temptrol II Pressure-Balancing mixing valve with lever handle, built-in choke and adjustable stop screw to limit handle turn.

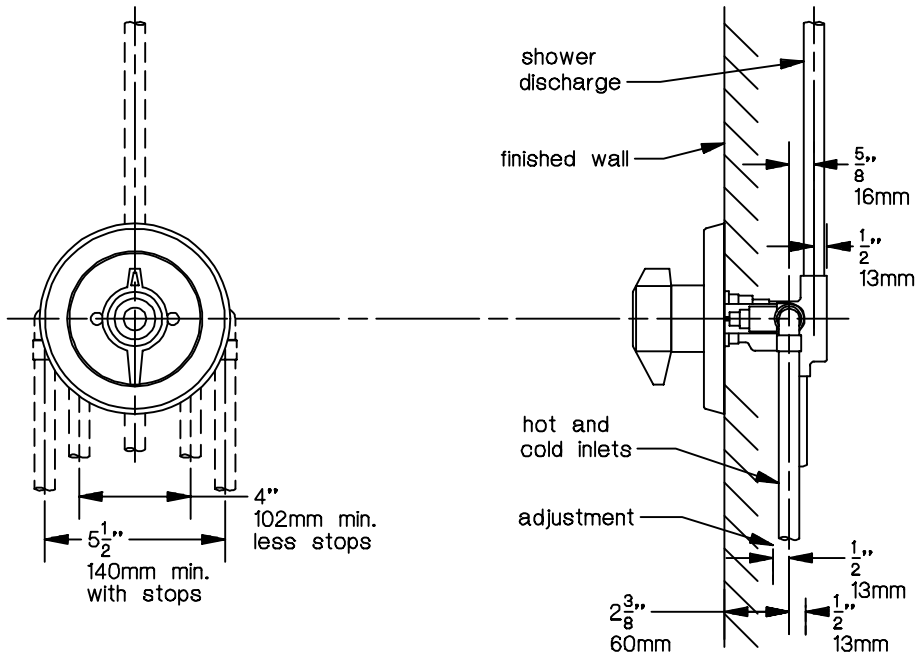
Modifications:

Add:

Suffix X: Integral service stops - allows water shutoff at valve for service.



SYMMONS PRODUCTS MEET
ANSI A112.18.1M, EPA '92
AND ALL KNOWN FLOW RATE
REQUIREMENTS.
Showerheads and Hand Showers
2.5 GPM (9.5 L/min)



Job/Location

.....
.....

Engineer

.....
.....

Contractor

.....
.....

This drawing to be used for rough-in installation only. All floor to center dimensions optional. Concealed piping and fittings not furnished by manufacturer. For ADA compliance (Americans with Disabilities Act) consult ADAAG or your state regulations for proper product choice and mounting locations. For complete installation, adjustment and service information, see installation instructions.

SYMMONS INDUSTRIES, INC.
31 Brooks Drive, Braintree, MA 02184
TEL: 1-800-SYMMONS, (781) 848-2250 FAX: 1-800-961-9621, (781) 843-3849
website: www.symmons.com



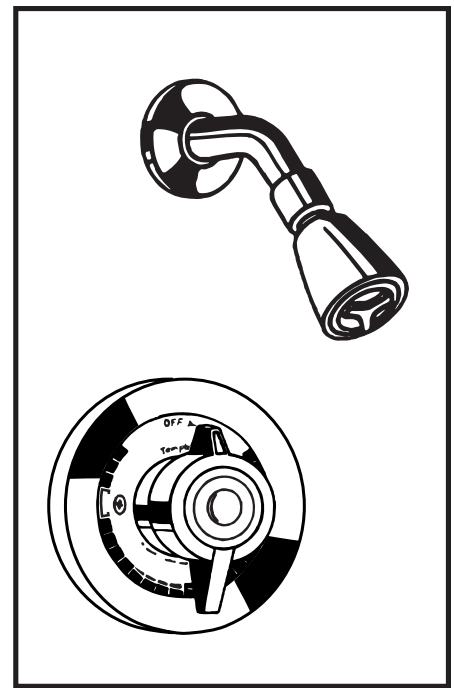
BP-56-1 Temptrol® II Shower System

Temptrol II Pressure-Balancing mixing valve with lever handle and adjustable stop screw to limit handle turn. Clear-Flo shower head with arm and flange.

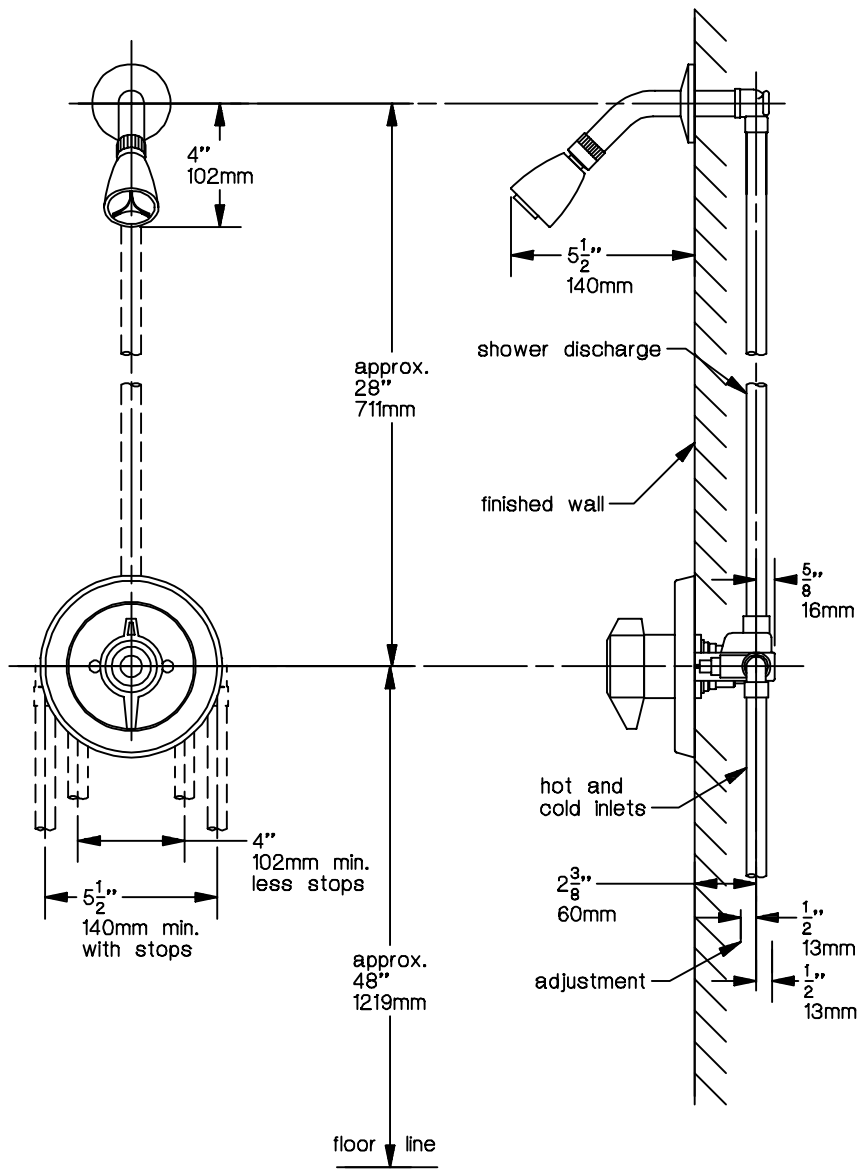
Modifications:

Add:

Suffix X: Integral service stops - allows water shutoff at valve for service.



SYMMONS PRODUCTS MEET
ANSI A112.18.1M, EPA '92
AND ALL KNOWN FLOW RATE
REQUIREMENTS.
Showerheads and Hand Showers
2.5 GPM (9.5 L/min)



Job/Location

.....
.....

Engineer

.....
.....

Contractor

.....
.....

This drawing to be used for rough-in installation only. All floor to center dimensions optional. Concealed piping and fittings not furnished by manufacturer. For ADA compliance (Americans with Disabilities Act) consult ADAAG or your state regulations for proper product choice and mounting locations. For complete installation, adjustment and service information, see installation instructions.

SYMMONS INDUSTRIES, INC.
31 Brooks Drive, Braintree, MA 02184
TEL: 1-800-SYMMONS, (781) 848-2250 FAX: 1-800-961-9621, (781) 843-3849
website: www.symmons.com



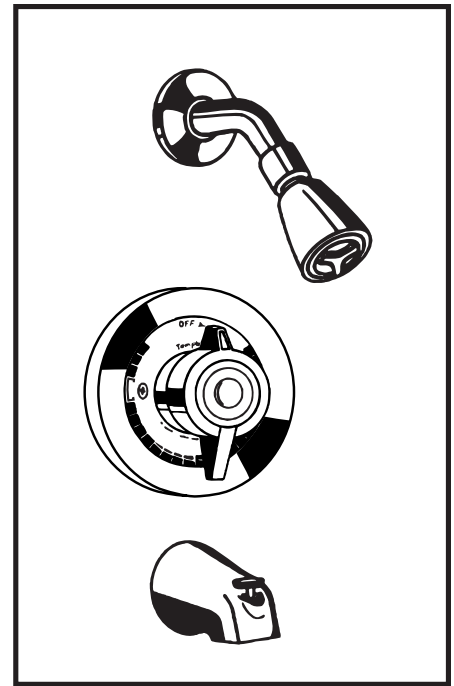
BP-56-2 Temptrol® II Tub and Shower System

Temptrol II Pressure-Balancing mixing valve with lever handle, built-in choke and adjustable stop screw to limit handle turn. Diverter spout and Clear-Flo shower head with arm and flange.

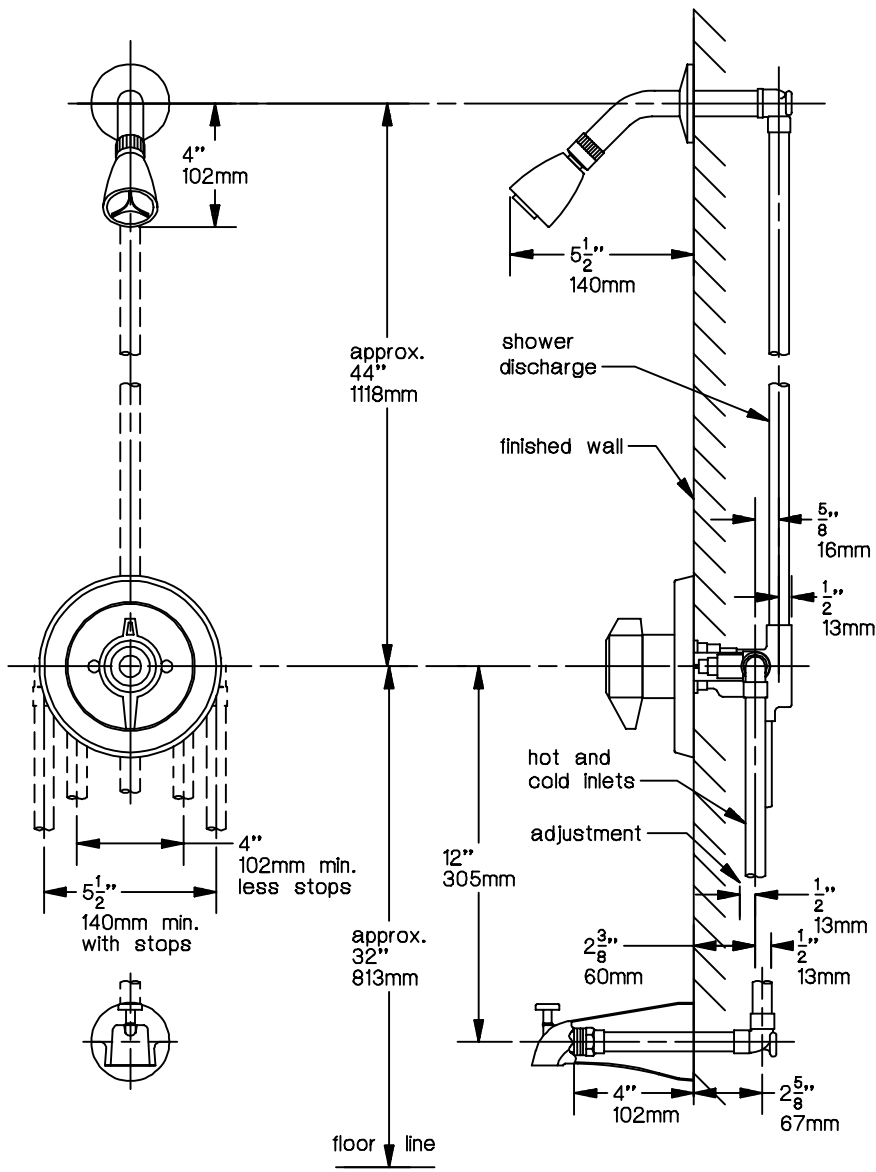
Modifications:

Add:

- Suffix X: Integral service stops - allows water shutoff at valve for service.
- Suffix SS: Slip spout



SYMMONS PRODUCTS MEET
ANSI A112.18.1M, EPA '92
AND ALL KNOWN FLOW RATE
REQUIREMENTS.
Showerheads and Hand Showers
2.5 GPM (9.5 L/min)



Job/Location
.....
.....

Engineer
.....
.....
.....

Contractor
.....
.....
.....

This drawing to be used for rough-in installation only. All floor to center dimensions optional. Concealed piping and fittings not furnished by manufacturer. For ADA compliance (Americans with Disabilities Act) consult ADAAG or your state regulations for proper product choice and mounting locations. For complete installation, adjustment and service information, see installation instructions.

SYMMONS INDUSTRIES, INC.
31 Brooks Drive, Braintree, MA 02184
TEL: 1-800-SYMMONS, (781) 848-2250 FAX: 1-800-961-9621, (781) 843-3849
website: www.symmons.com



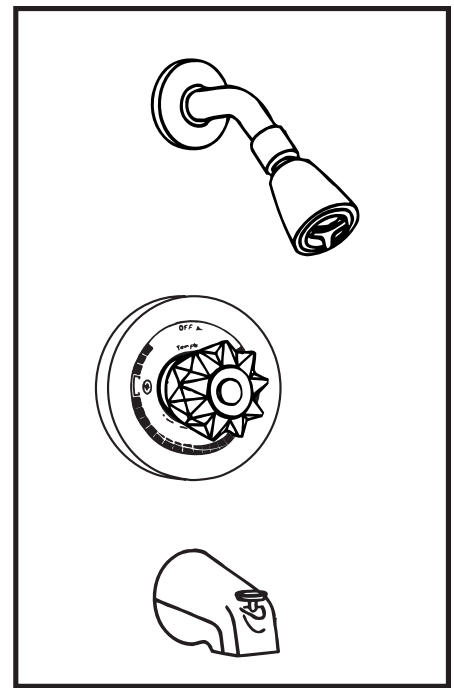
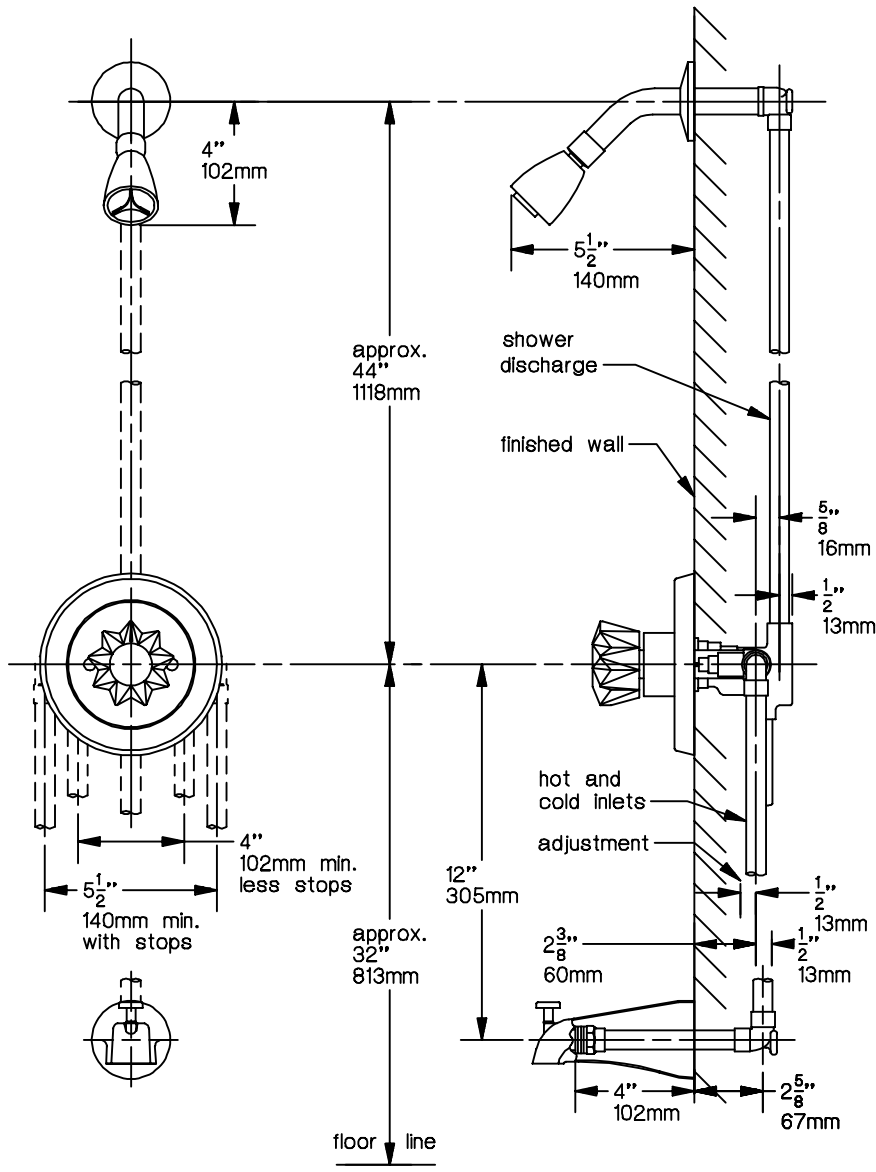
BP-56-2-LCT Temptrol® II Tub and Shower System

Temptrol II Pressure-Balancing mixing valve with acrylic handle, built-in choke and adjustable stop screw to limit handle turn. Diverter spout and Clear-Flo shower head with arm and flange.

Modifications:

Add:

- Suffix X: Integral service stops - allows water shutoff at valve for service.
- Suffix SS: Slip spout



SYMMONS PRODUCTS MEET
ANSI A112.18.1M, EPA '92
AND ALL KNOWN FLOW RATE
REQUIREMENTS.
Showerheads and Hand Showers
2.5 GPM (9.5 L/min)

Job/Location

.....
.....

Engineer

.....
.....

Contractor

.....
.....

This drawing to be used for rough-in installation only. All floor to center dimensions optional. Concealed piping and fittings not furnished by manufacturer. For ADA compliance (Americans with Disabilities Act) consult ADAAG or your state regulations for proper product choice and mounting locations. For complete installation, adjustment and service information, see installation instructions.

SYMMONS INDUSTRIES, INC.
31 Brooks Drive, Braintree, MA 02184
TEL: 1-800-SYMMONS, (781) 848-2250 FAX: 1-800-961-9621, (781) 843-3849
website: www.symmons.com



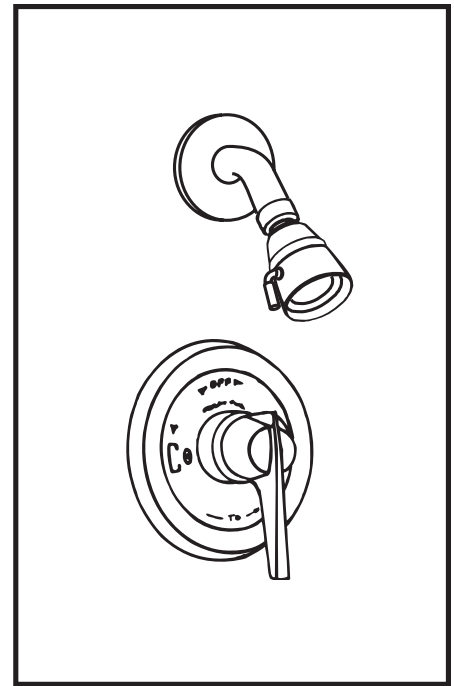
BP-56-1-L-B-135 Temptrol® II Shower System

Temptrol II Pressure-Balancing mixing valve with lever handle, brass escutcheon and adjustable stop screw to limit handle turn. All brass shower head with arm and flange.

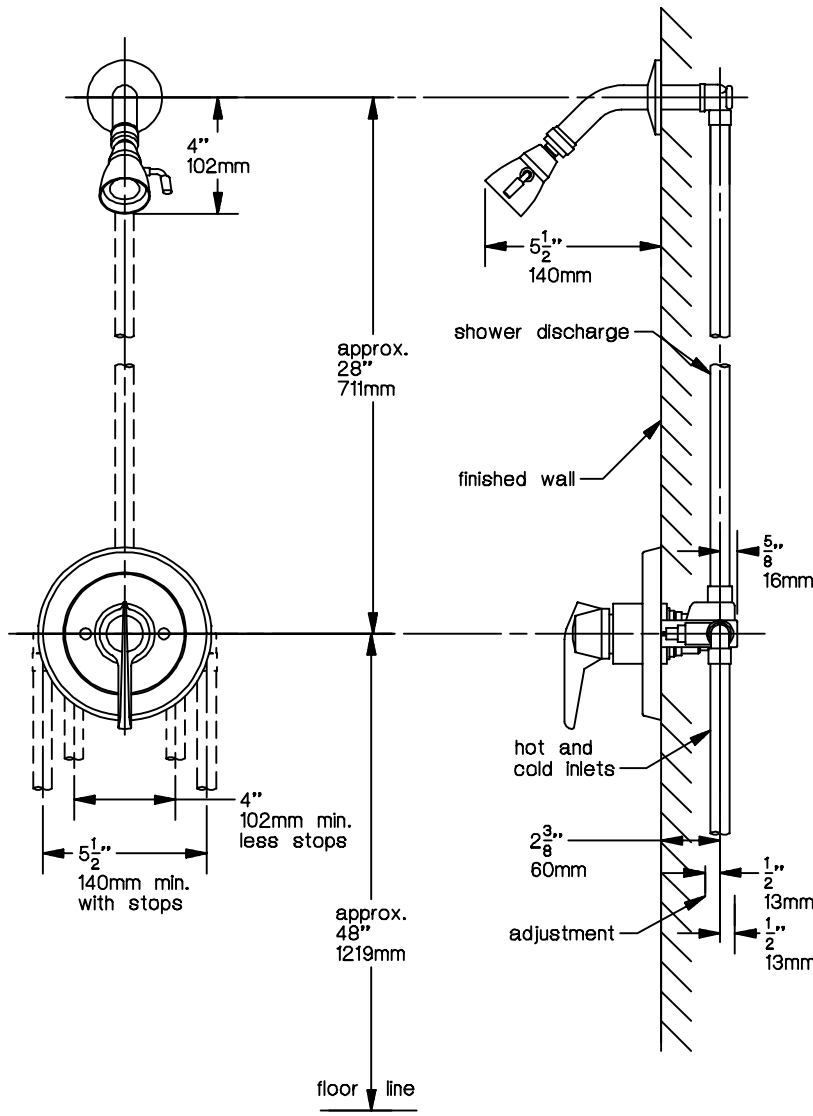
Modifications:

Add:

Suffix X: Integral service stops - allows water shutoff at valve for service.



SYMMONS PRODUCTS MEET
ANSI A112.18.1M, EPA '92
AND ALL KNOWN FLOW RATE
REQUIREMENTS.
Showerheads and Hand Showers
2.5 GPM (9.5 L/min)



Job/Location

.....
.....

Engineer

.....
.....

Contractor

.....
.....

This drawing to be used for rough-in installation only. All floor to center dimensions optional. Concealed piping and fittings not furnished by manufacturer. For ADA compliance (Americans with Disabilities Act) consult ADAAG or your state regulations for proper product choice and mounting locations. For complete installation, adjustment and service information, see installation instructions.

SYMMONS INDUSTRIES, INC.
31 Brooks Drive, Braintree, MA 02184
TEL: 1-800-SYMMONS, (781) 848-2250 FAX: 1-800-961-9621, (781) 843-3849
website: www.symmons.com



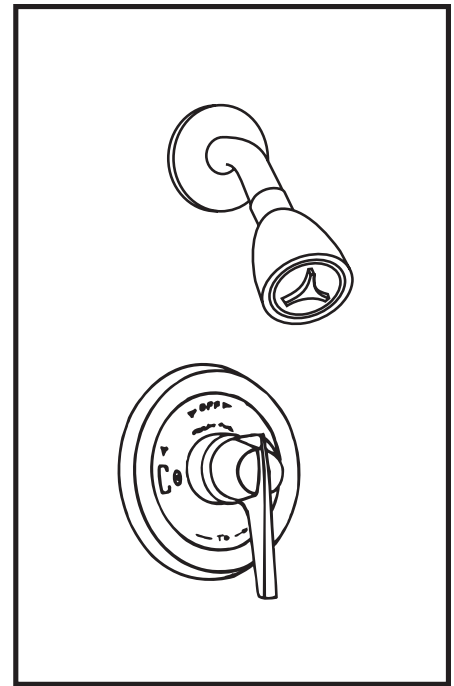
BP-56-1-BRS-LEV Temptrol® II Shower System

Temptrol II Pressure-Balancing mixing valve with lever handle and adjustable stop screw to limit handle turn. Clear-Flo shower head with arm and flange. Polished brass finish.

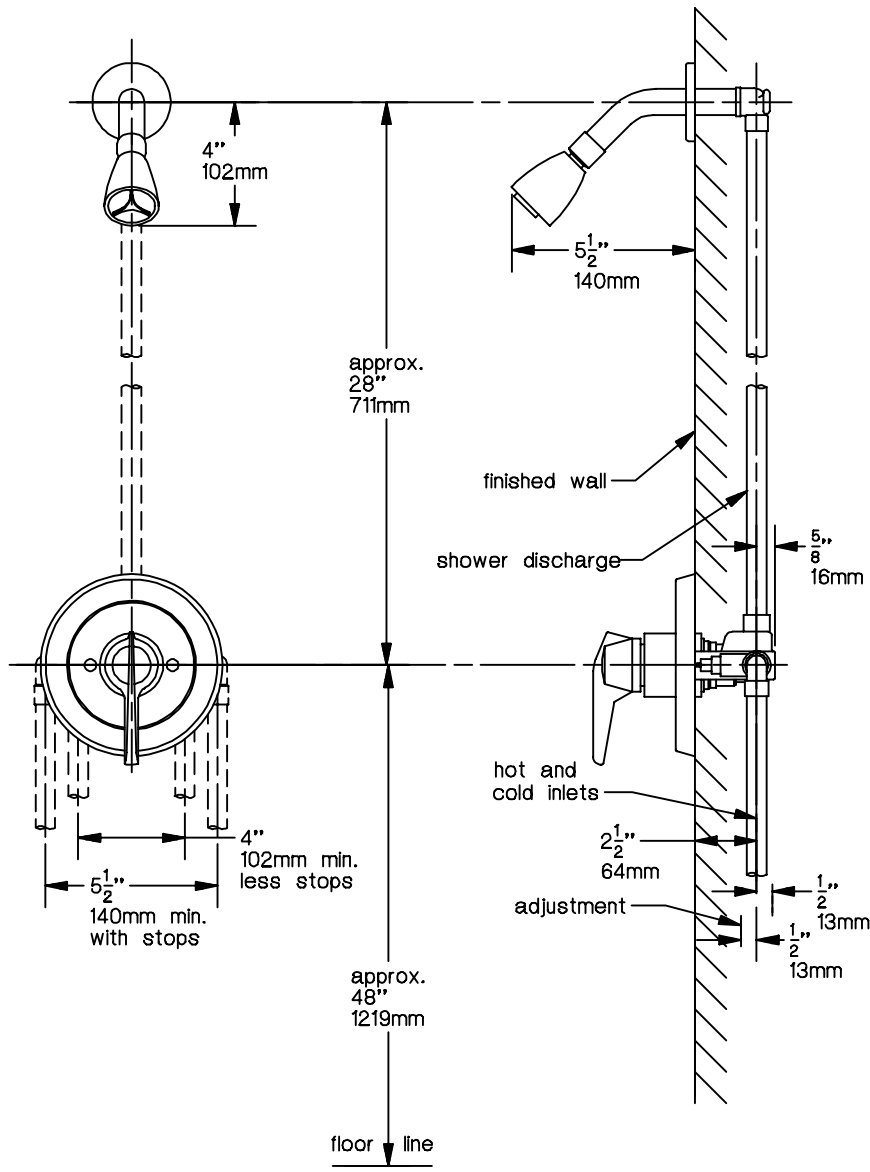
Modifications:

Add:

Suffix X: Integral service stops - allows water shutoff at valve for service.



SYMMONS PRODUCTS MEET
ANSI A112.18.1M, EPA '92
AND ALL KNOWN FLOW RATE
REQUIREMENTS.
Showerheads and Hand Showers
2.5 GPM (9.5 L/min)



Job/Location

.....

Engineer

.....

Contractor

.....

This drawing to be used for rough-in installation only. All floor to center dimensions optional. Concealed piping and fittings not furnished by manufacturer. For ADA compliance (Americans with Disabilities Act) consult ADAAG or your state regulations for proper product choice and mounting locations. For complete installation, adjustment and service information, see installation instructions.

SYMMONS INDUSTRIES, INC.
31 Brooks Drive, Braintree, MA 02184
TEL: 1-800-SYMMONS, (781) 848-2250 FAX: 1-800-961-9621, (781) 843-3849
website: www.symmons.com



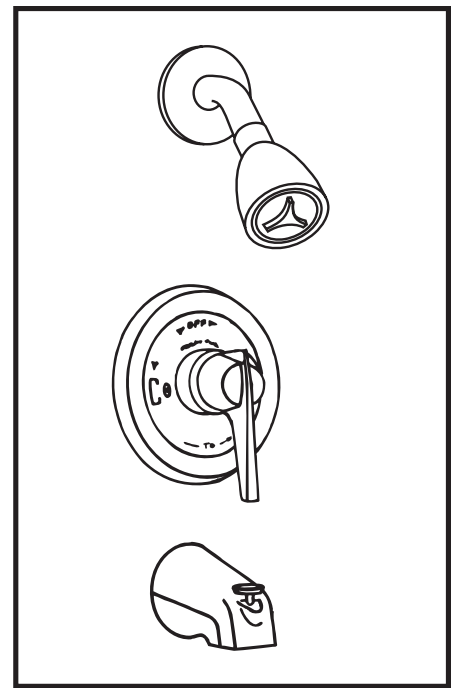
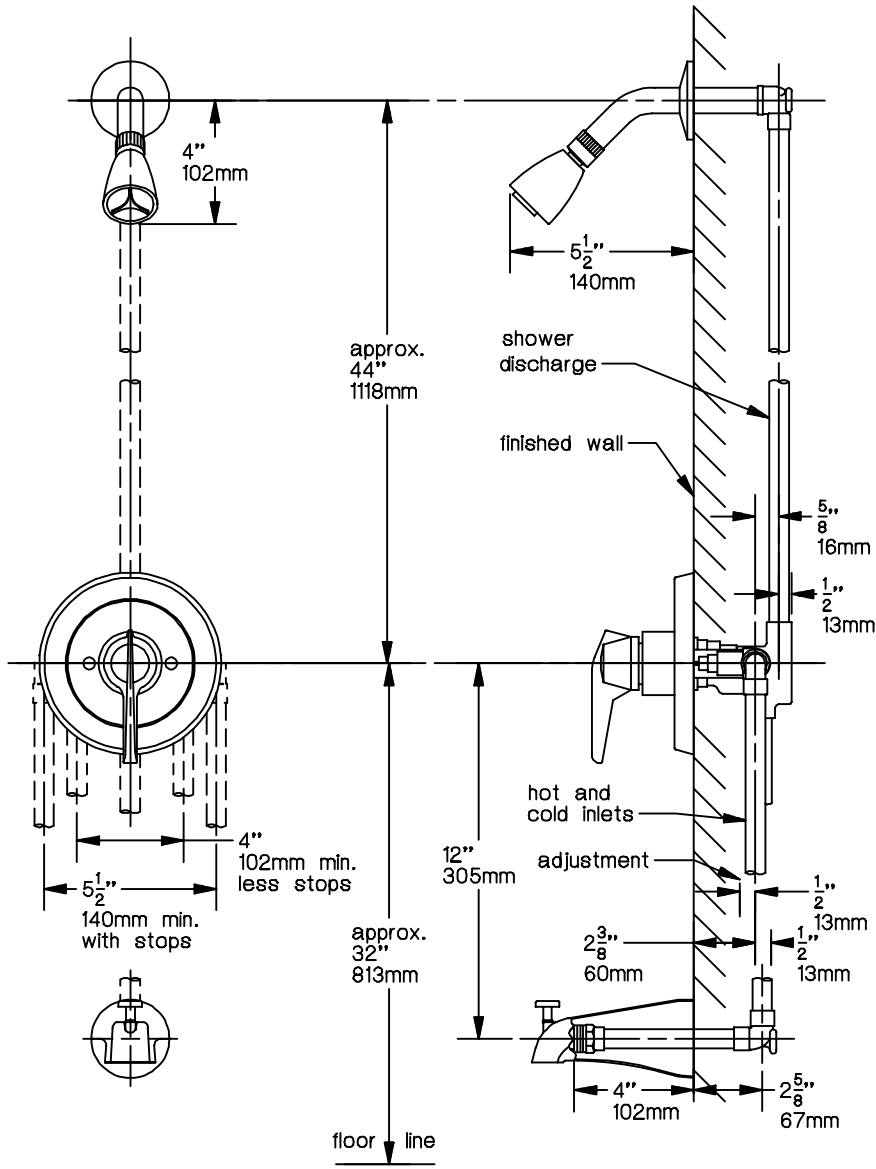
BP-56-2-BRS-LEV Temptrol® II Tub and Shower System

Temptrol II Pressure-Balancing mixing valve with lever handle, built-in choke and adjustable stop screw to limit handle turn. Diverter spout and Clear-Flo shower head with arm and flange. Polished brass finish.

Modifications:

Add:

- Suffix X: Integral service stops - allows water shutoff at valve for service.
- Suffix SS: Slip spout



SYMMONS PRODUCTS MEET
ANSI A112.18.1M, EPA '92
AND ALL KNOWN FLOW RATE
REQUIREMENTS.
Showerheads and Hand Showers
2.5 GPM (9.5 L/min)

Job/Location
.....
.....

Engineer
.....
.....
.....

Contractor
.....
.....
.....

This drawing to be used for rough-in installation only. All floor to center dimensions optional. Concealed piping and fittings not furnished by manufacturer. For ADA compliance (Americans with Disabilities Act) consult ADAAG or your state regulations for proper product choice and mounting locations. For complete installation, adjustment and service information, see installation instructions.

SYMMONS INDUSTRIES, INC.
31 Brooks Drive, Braintree, MA 02184
TEL: 1-800-SYMMONS, (781) 848-2250 FAX: 1-800-961-9621, (781) 843-3849
website: www.symmons.com



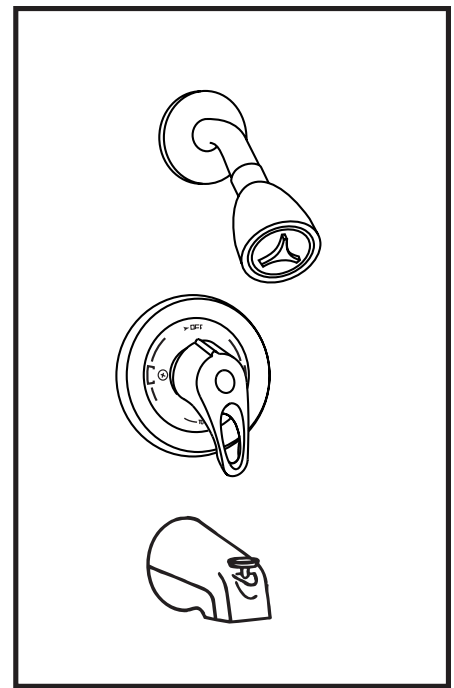
BP-56-2-LP Temptrol® II Tub and Shower System

Temptrol II Pressure-Balancing mixing valve with loop style lever handle, built-in choke and adjustable stop screw to limit handle turn. Diverter spout and Clear-Flo shower head with arm and flange.

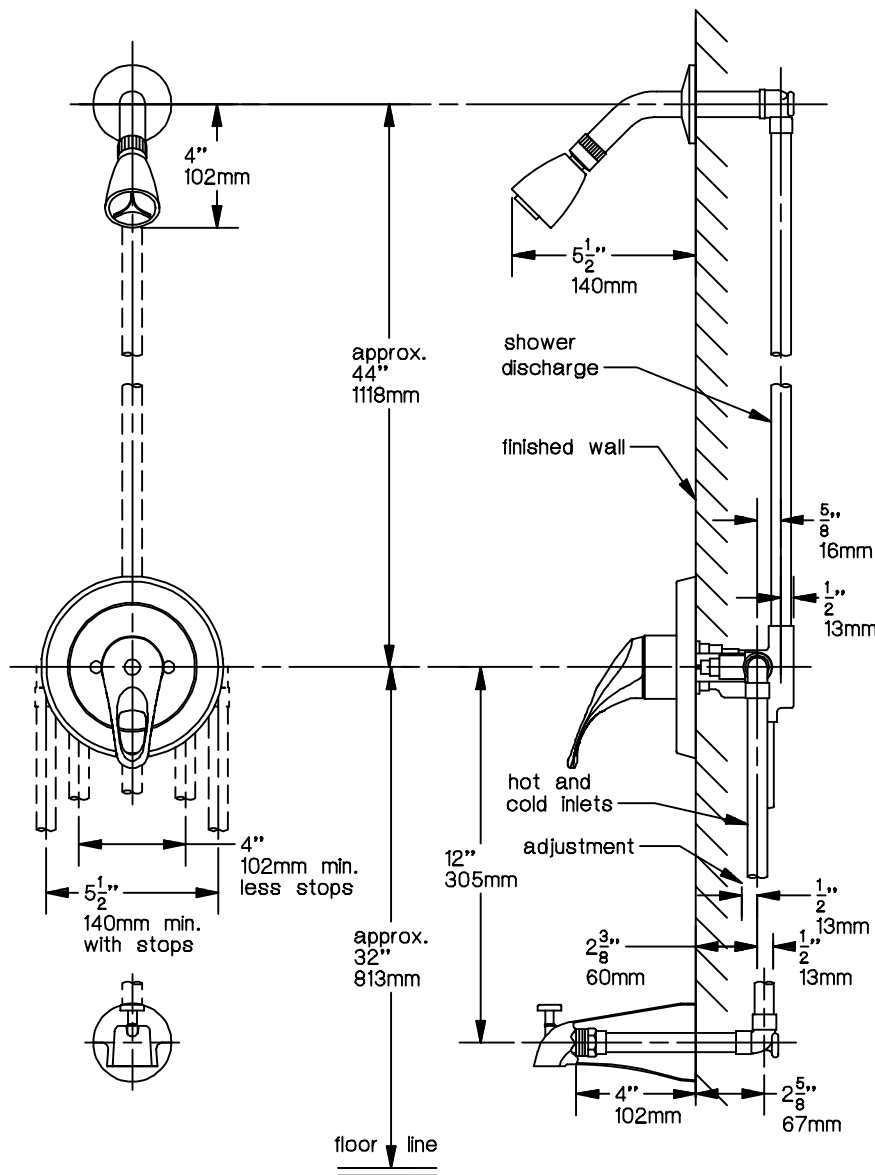
Modifications:

Add:

- Suffix X: Integral service stops - allows water shutoff at valve for service.
- Suffix SS: Slip spout



SYMMONS PRODUCTS MEET
ANSI A112.18.1M, EPA '92
AND ALL KNOWN FLOW RATE
REQUIREMENTS.
Showerheads and Hand Showers
2.5 GPM (9.5 L/min)



Job/Location

.....
.....

Engineer

.....
.....

Contractor

.....
.....

This drawing to be used for rough-in installation only. All floor to center dimensions optional. Concealed piping and fittings not furnished by manufacturer. For ADA compliance (Americans with Disabilities Act) consult ADAAG or your state regulations for proper product choice and mounting locations. For complete installation, adjustment and service information, see installation instructions.

SYMMONS INDUSTRIES, INC.
31 Brooks Drive, Braintree, MA 02184
TEL: 1-800-SYMMONS, (781) 848-2250 FAX: 1-800-961-9621, (781) 843-3849
website: www.symmons.com



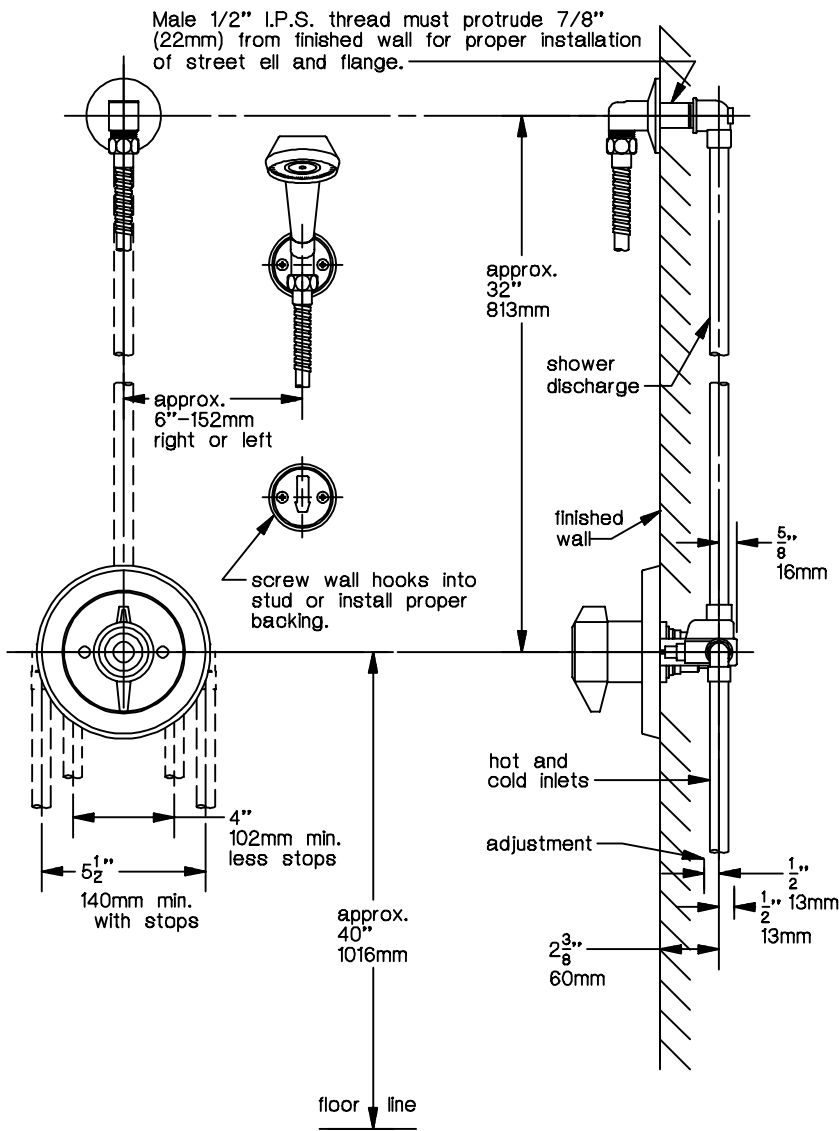
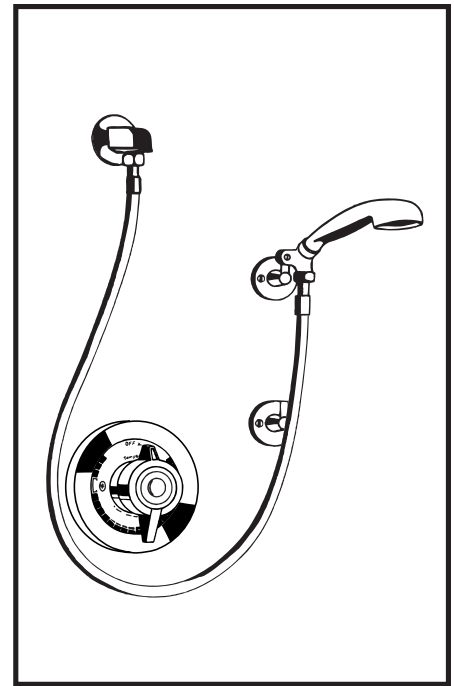
BP-56-300 Temptrol® II Shower System

Temptrol II Pressure-Balancing mixing valve with lever handle and adjustable stop screw to limit handle turn. Wall/hand shower with flexible 5' metal hose with wall connection, flange and two wall hooks.

Modifications:

Add:

- Suffix X: Integral service stops - allows water shutoff at valve for service.
- Suffix V: In-line vacuum breaker.
- Suffix B30: 30" adjusting bar in place of wall hooks.



SYMMONS PRODUCTS MEET
ANSI A112.18.1M, EPA '92
AND ALL KNOWN FLOW RATE
REQUIREMENTS.

Showerheads and Hand Showers
2.5 GPM (9.5 L/min)

Job/Location

.....

.....

Engineer

.....

.....

Contractor

.....

.....



This drawing to be used for rough-in installation only. All floor to center dimensions optional. Concealed piping and fittings not furnished by manufacturer. **Dimensions are for ADA compliance (Americans with Disabilities Act).** Consult ADAAG or your state regulations for proper product choice and mounting locations. For complete installation, adjustment and service information, see installation instructions.

SYMMONS INDUSTRIES, INC.

31 Brooks Drive, Braintree, MA 02184

TEL: 1-800-SYMMONS, (781) 848-2250 FAX: 1-800-961-9621, (781) 843-3849

website: www.symmons.com

©1998 Symmons Industries, Inc. Printed in U.S.A.

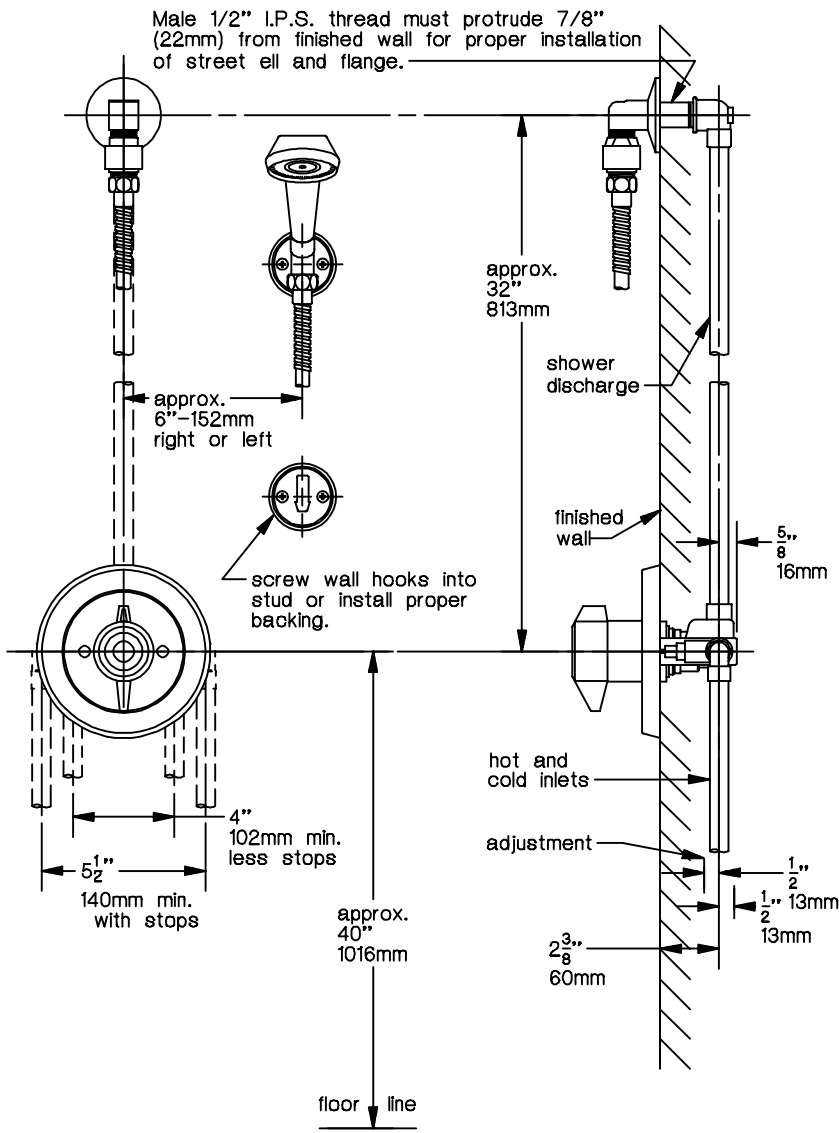
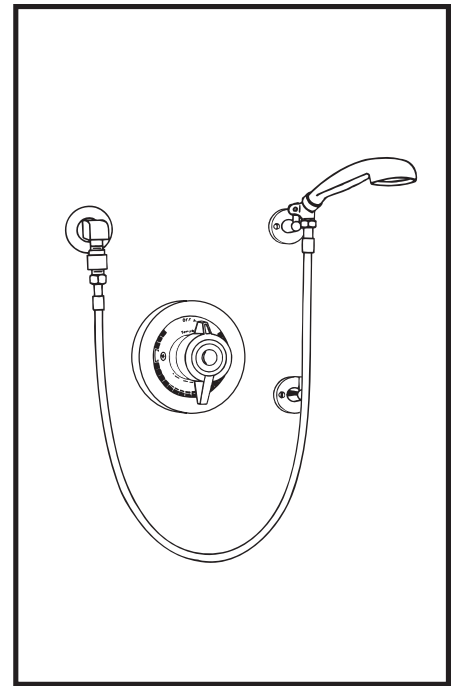
BP-56-300-V Temptrol® II Shower System

Temptrol II Pressure-Balancing mixing valve with lever handle and adjustable stop screw to limit handle turn. Wall/hand shower with in-line vacuum breaker flexible 5' metal hose with wall connection, flange and two wall hooks.

Modifications:

Add:

- Suffix X: Integral service stops - allows water shutoff at valve for service.
- Suffix B30: 30" adjusting bar in place of wall hooks.



SYMMONS PRODUCTS MEET
ANSI A112.18.1M, EPA '92
AND ALL KNOWN FLOW RATE
REQUIREMENTS.
Showerheads and Hand Showers
2.5 GPM (9.5 L/min)

Job/Location

.....

.....

Engineer

.....

.....

Contractor

.....

.....



This drawing to be used for rough-in installation only. All floor to center dimensions optional. Concealed piping and fittings not furnished by manufacturer. **Dimensions are for ADA compliance (Americans with Disabilities Act).** Consult ADAAG or your state regulations for proper product choice and mounting locations. For complete installation, adjustment and service information, see installation instructions.

SYMMONS INDUSTRIES, INC.

31 Brooks Drive, Braintree, MA 02184

TEL: 1-800-SYMMONS, (781) 848-2250 FAX: 1-800-961-9621, (781) 843-3849

website: www.symmons.com

©1998 Symmons Industries, Inc. Printed in U.S.A.

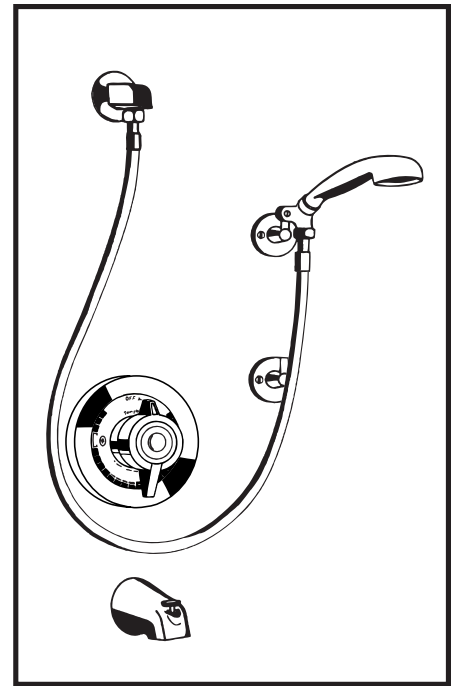
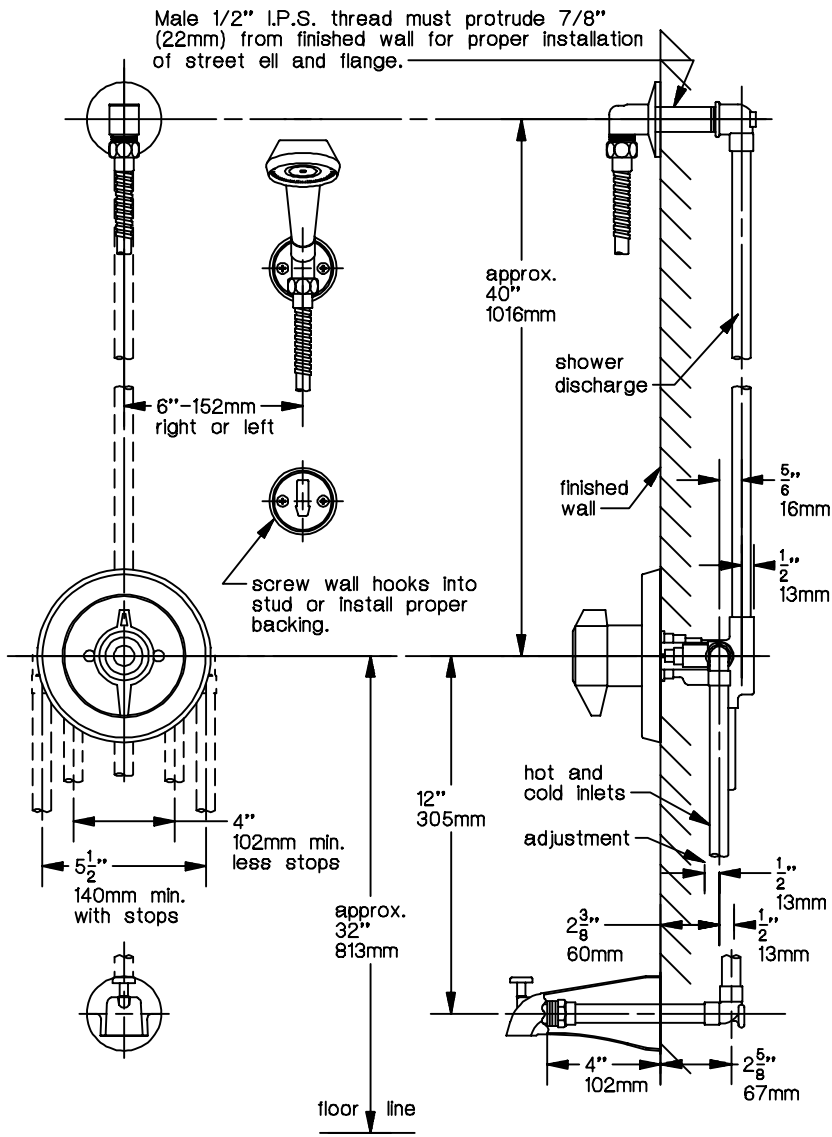
BP-56-400 Temptrol® II Tub and Shower System

Temptrol II Pressure-Balancing mixing valve with lever handle, built-in choke and adjustable stop screw to limit handle turn. Wall/hand shower with flexible 5' metal hose, wall connection, flange and two wall hooks. Diverter spout.

Modifications:

Add:

- Suffix X: Integral service stops - allows water shutoff at valve for service.
- Suffix V: In-line vacuum breaker.
- Suffix SS: Slip spout.
- Suffix B30: 30" adjusting bar in place of wall hooks.



SYMMONS PRODUCTS MEET
ANSI A112.18.1M, EPA '92
AND ALL KNOWN FLOW RATE
REQUIREMENTS.
Showerheads and Hand Showers
2.5 GPM (9.5 L/min)

Job/Location

.....
.....

Engineer

.....
.....

Contractor

.....
.....



This drawing to be used for rough-in installation only. All floor to center dimensions optional. Concealed piping and fittings not furnished by manufacturer. **Dimensions are for ADA compliance (Americans with Disabilities Act).** Consult ADAAG or your state regulations for proper product choice and mounting locations. For complete installation, adjustment and service information, see installation instructions.

SYMMONS INDUSTRIES, INC.
31 Brooks Drive, Braintree, MA 02184
TEL: 1-800-SYMMONS, (781) 848-2250 FAX: 1-800-961-9621, (781) 843-3849
website: www.symmons.com



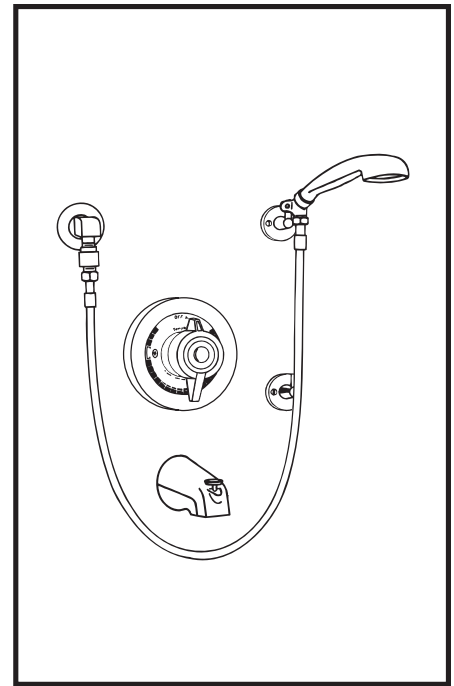
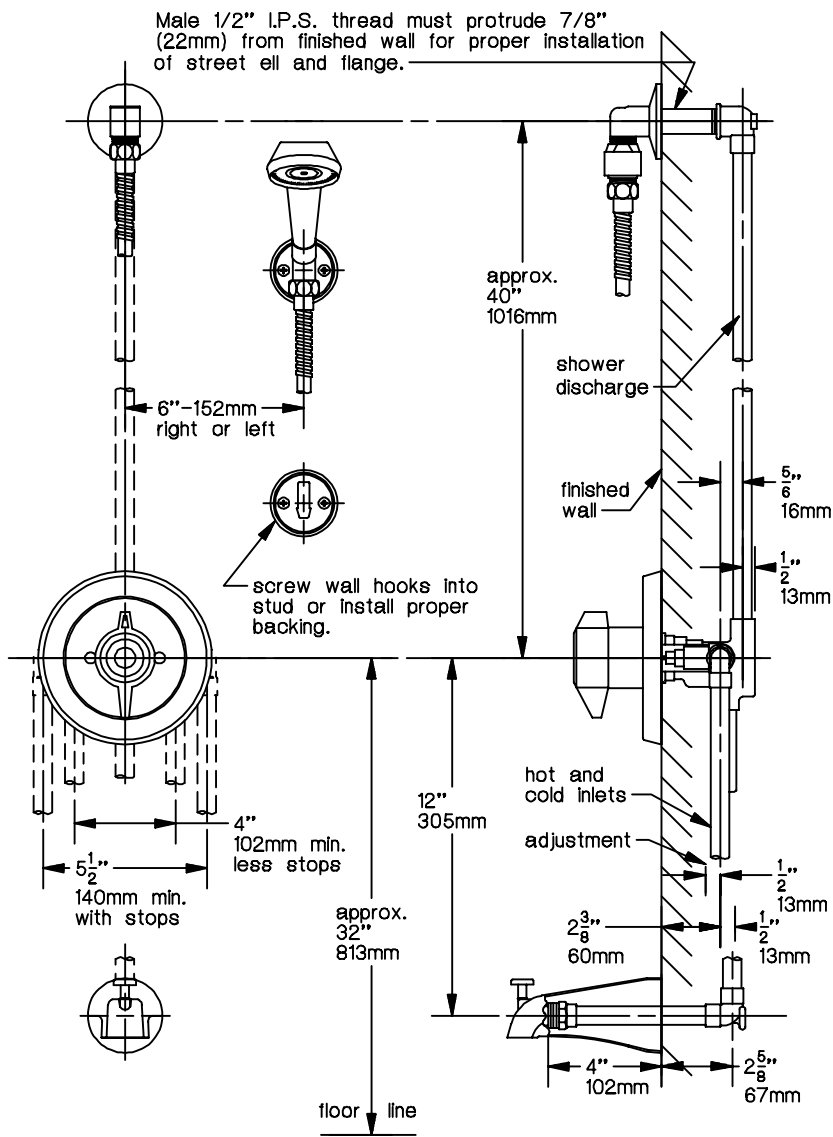
BP-56-400-V Temptrol® II Tub and Shower System

Temptrol II Pressure-Balancing mixing valve with lever handle, built-in choke and adjustable stop screw to limit handle turn. Wall/hand shower with in-line vacuum breaker, flexible 5' metal hose, wall connection, flange and two wall hooks. Diverter spout.

Modifications:

Add:

- Suffix X: Integral service stops - allows water shutoff at valve for service.
- Suffix SS: Slip spout.
- Suffix B30: 30" adjusting bar in place of wall hooks.



SYMMONS PRODUCTS MEET ANSI A112.18.1M, EPA '92 AND ALL KNOWN FLOW RATE REQUIREMENTS.

Showerheads and Hand Showers
2.5 GPM (9.5 L/min)

Job/Location

Engineer

Contractor



This drawing to be used for rough-in installation only. All floor to center dimensions optional. Concealed piping and fittings not furnished by manufacturer. **Dimensions are for ADA compliance (Americans with Disabilities Act).** Consult ADAAG or your state regulations for proper product choice and mounting locations. For complete installation, adjustment and service information, see installation instructions.

SYMMONS INDUSTRIES, INC.

31 Brooks Drive, Braintree, MA 02184

TEL: 1-800-SYMMONS, (781) 848-2250 FAX: 1-800-961-9621, (781) 843-3849

website: www.symmons.com



BP-56-300-B30-BRS-LEV-V Temptrol® II Shower System

Temptrol II Pressure-Balancing mixing valve with lever handle, adjustable stop screw to limit handle turn. Wall/hand shower with in-line vacuum breaker, flexible 5' metal hose, wall connection and flange, 30" slide bar for hand shower mounting. Polished brass finish.

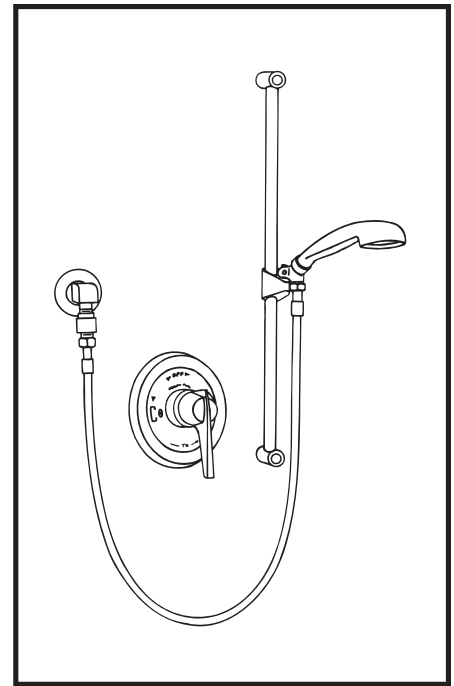
Modifications:

Add:

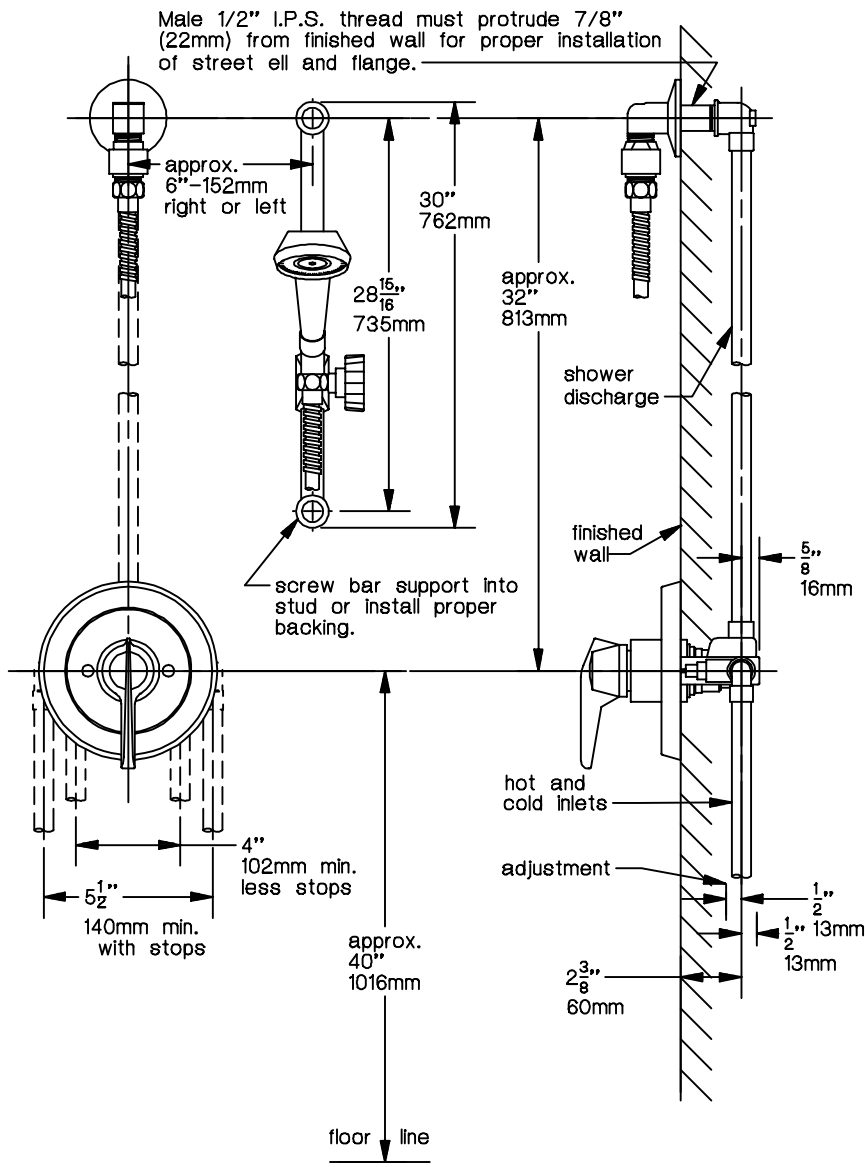
Suffix X: Integral service stops - allows water shutoff at valve for service.

Delete:

Suffix B30: 2 wall hooks in place of 30" bar.



SYMMONS PRODUCTS MEET
ANSI A112.18.1M, EPA '92
AND ALL KNOWN FLOW RATE
REQUIREMENTS.
Showerheads and Hand Showers
2.5 GPM (9.5 L/min)



Job/Location

.....

.....

Engineer

.....

.....

Contractor

.....

.....



This drawing to be used for rough-in installation only. All floor to center dimensions optional. Concealed piping and fittings not furnished by manufacturer. **Dimensions are for ADA compliance (Americans with Disabilities Act).** Consult ADAAG or your state regulations for proper product choice and mounting locations. For complete installation, adjustment and service information, see installation instructions.

SYMMONS INDUSTRIES, INC.

31 Brooks Drive, Braintree, MA 02184

TEL: 1-800-SYMMONS, (781) 848-2250 FAX: 1-800-961-9621, (781) 843-3849

website: www.symmons.com

BP-56-400-B30-BRS-LEV-V Temptrol® II Tub and Shower System

Temptrol II Pressure-Balancing mixing valve with lever handle, built-in choke for use with diverter spout and adjustable stop screw to limit handle turn. Diverter spout. Wall hand shower with in-line vacuum breaker, flexible 5' metal hose, wall connection and flange, 30" slide bar for hand shower mounting. Polished brass finish.

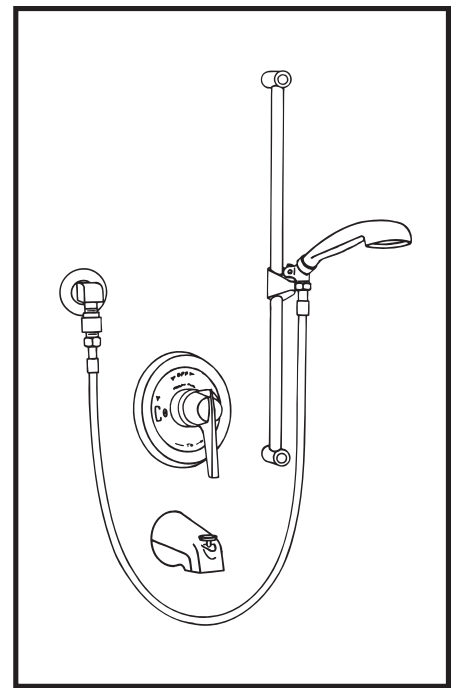
Modifications:

Add:

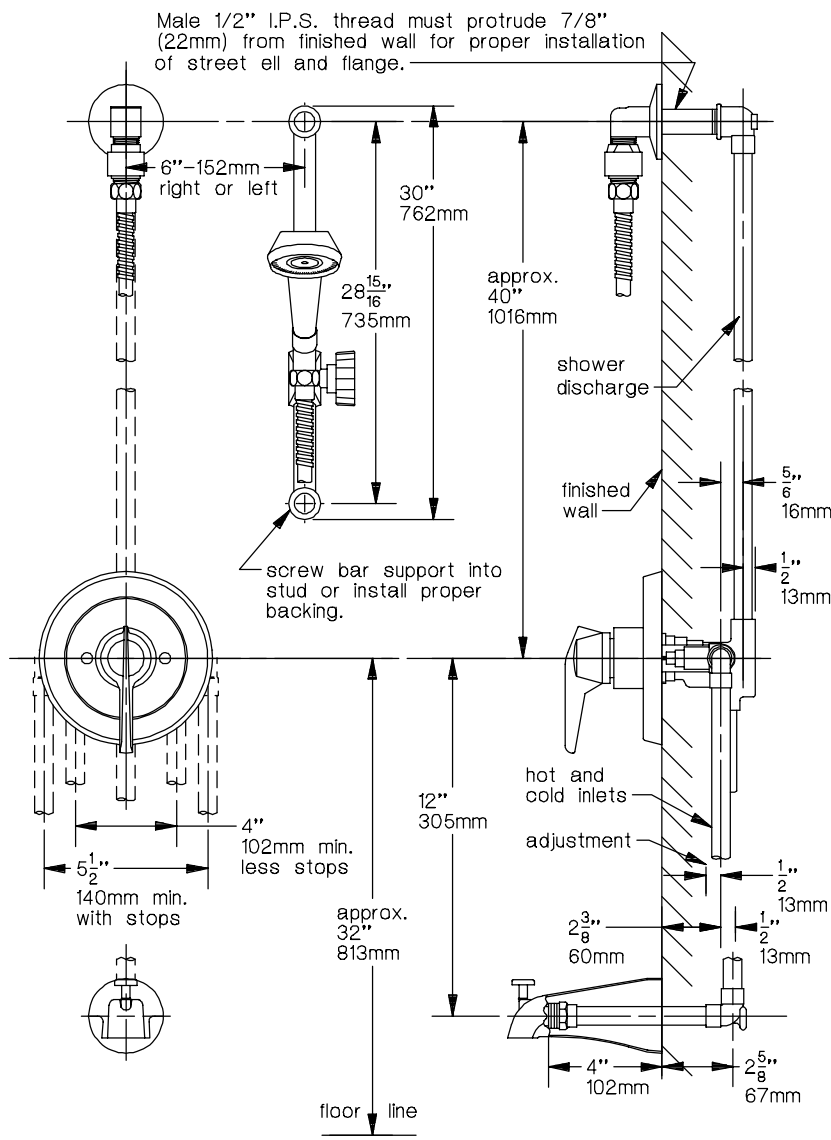
- Suffix X: Integral service stops - allows water shutoff at valve for service.

Delete:

- Suffix B30: 2 wall hooks in place of 30" bar.



SYMMONS PRODUCTS MEET
ANSI A112.18.1M, EPA '92
AND ALL KNOWN FLOW RATE
REQUIREMENTS.
Showerheads and Hand Showers
2.5 GPM (9.5 L/min)



Job/Location

.....

.....

Engineer

.....

.....

Contractor

.....

.....



This drawing to be used for rough-in installation only. All floor to center dimensions optional. Concealed piping and fittings not furnished by manufacturer. **Dimensions are for ADA compliance (Americans with Disabilities Act).** Consult ADAAG or your state regulations for proper product choice and mounting locations. For complete installation, adjustment and service information, see installation instructions.

SYMMONS INDUSTRIES, INC.
31 Brooks Drive, Braintree, MA 02184
TEL: 1-800-SYMMONS, (781) 848-2250 FAX: 1-800-961-9621, (781) 843-3849
website: www.symmons.com

