

SYMMETRIX®

Single Handle Lavatory Faucet

(Replaces Temptrol® S-90 Series Lavatory Faucet)

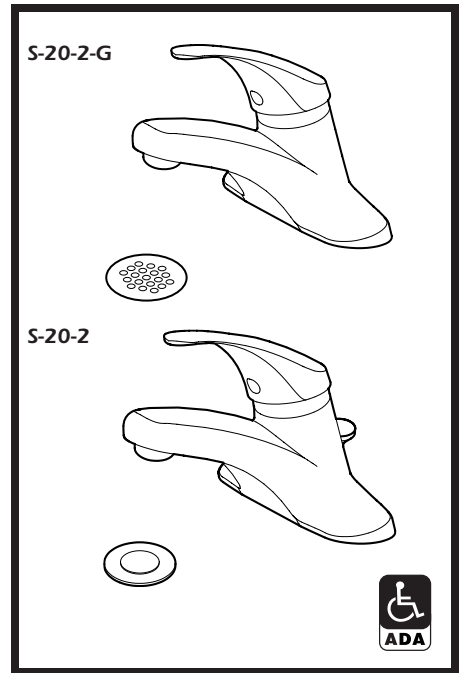
- S-20-2-G: With grid strainer drain assembly
- S-20-2: With lift rod and pop-up drain assembly
- S-20-1: With lift rod only
- S-20-0: Faucet only (no lift-rod hole)
- S-20: Faucet only (with lift-rod hole)

Symmetrix Single Lever Lavatory Faucet with ceramic control components, handle limit stop, and red/blue indicators on handle. Aerator, 3/8" supplies, 4" centers, metal construction, polished chrome finish.

Modifications:

Add:

- Suffix LP: Loop handle
- Suffix W: 6" lever handle
- Suffix OFG: Offset grid strainer
- Suffix FR: 0.5 gpm flow restrictor outlet spray (vandal resistant)
- Suffix VP: Vandal resistant aerator
- Suffix IPS: 1/2" IPS connections
- Suffix LST: 16" copper supply tubes
- Suffix NA: Non-aerated, laminar flow outlet
- Suffix AWT: White finish
- Suffix BRS: Radiance® polished brass finish
- Suffix PCB: Polished chrome and Radiance® polished brass finish
- Suffix STN: Satin finish



**SYMMONS PRODUCTS MEET
ANSI A112.18.1M, EPA '92
AND ALL KNOWN FLOW RATE
REQUIREMENTS.
Kitchen and Lavatory Faucets
2.2 GPM (8.3 L/min)**

Job/Location

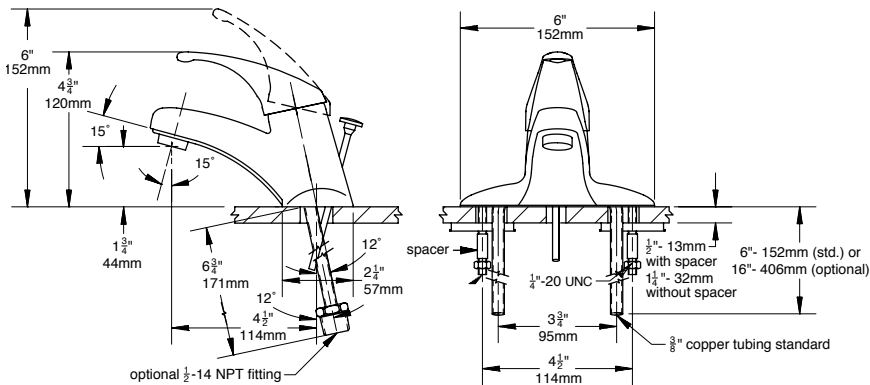
.....

Engineer

.....

Contractor

.....



For ADA compliance (Americans with Disabilities Act) consult ADAAG or your state regulations for proper product choice and mounting locations.

SYMMONS INDUSTRIES, INC.
 31 Brooks Drive, Braintree, MA 02184-3804
 TEL: 1-800-SYMMONS, (781) 848-2250 FAX: 1-800-961-9621, (781) 843-3849
 Web site: www.symmons.com

