

SYMMETRIX®

Two Handle Lavatory Faucet

- S-250-2-FR-G-LWG: With grid strainer drain assembly
- S-250-2-FR-LWG: With lift rod and pop-up drain assembly
- S-250-1-FR-LWG: With lift rod only
- S-250-FR-LWG: Faucet only

Symmetrix Two Handle 4" Cast Brass Centerset Lavatory Faucet with quarter turn ceramic control components and wrist blade handles with red/blue indicators. 0.5 gpm (1.9 L/min) vandal resistant spray outlet, 1/2" IPS shanks, solid brass construction, polished chrome finish.

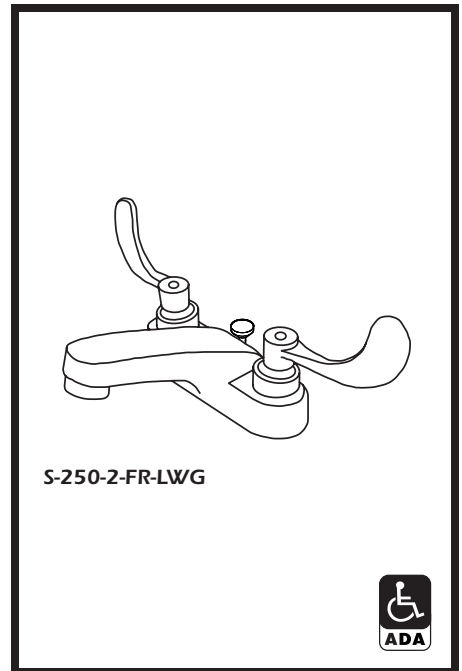
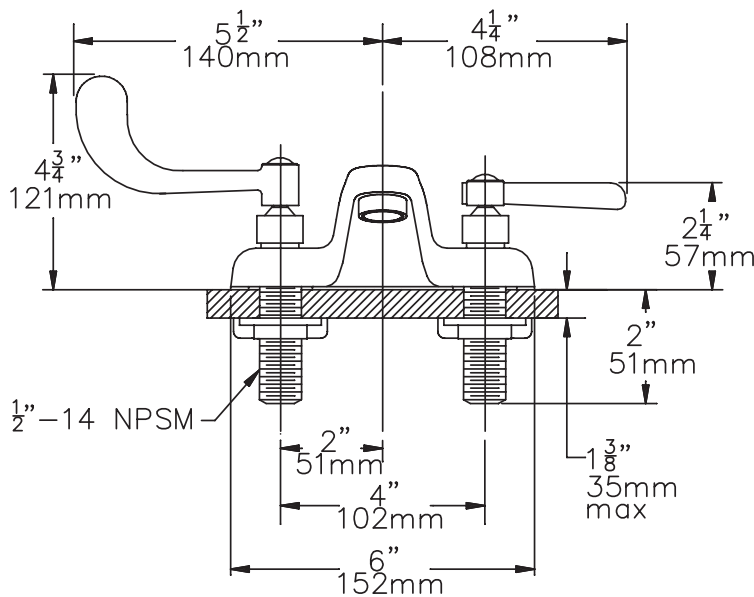
Modifications:

Add:

- Suffix **VP**: Vandal resistant aerator
- Suffix **OFG**: Offset grid strainer

Delete:

- Suffix **FR**: 2.2 gpm (8.3 L/min) aerator in place of 0.5 gpm (1.9 L/min) spray outlet



SYMMONS PRODUCTS MEET ANSI A112.18.1M, EPA '92 AND ALL KNOWN FLOW RATE REQUIREMENTS. Kitchen and Lavatory Faucets 2.2 GPM (8.3 L/min)

Job/Location

.....

Engineer

.....

Contractor

.....

For ADA compliance (Americans with Disabilities Act) consult ADAAG or your state regulations for proper product choice and mounting locations.

SYMMONS INDUSTRIES, INC.
 31 Brooks Drive, Braintree, MA 02184-3804
 TEL: 1-800-SYMMONS, (781) 848-2250 FAX: 1-800-961-9621, (781) 843-3849
 Web site: www.symmons.com

