

# SYMMETRIX®

## Single Handle Kitchen Faucet with Pull-Out Spray Spout

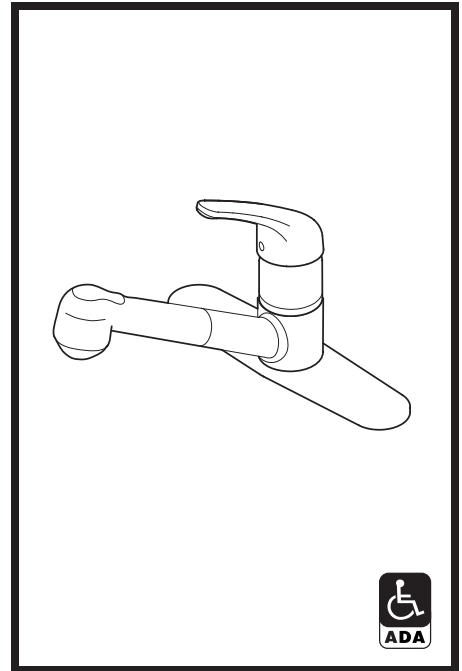
□ S-26-IPS: Faucet only

**Symmetrix** Single Lever Kitchen Faucet with red/blue indicators on handle, pull-out spray spout, retractable 5' hose with spray to stream touch control, integral vacuum breaker, and ceramic control components, 1/2" IPS connections. For single hole or three hole installation (optional escutcheon included), metal construction, polished chrome finish.

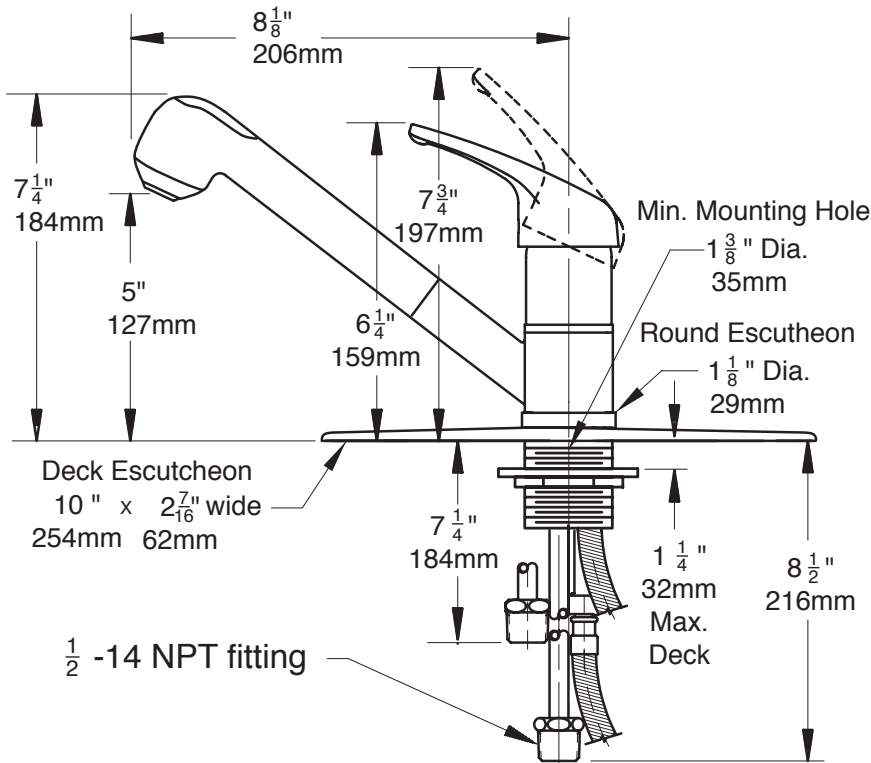
### Modifications:

#### Add:

- Suffix LP: Loop handle
- Suffix W: 6" lever handle



**SYMMONS PRODUCTS MEET  
ANSI A112.18.1M, EPA '92  
AND ALL KNOWN FLOW RATE  
REQUIREMENTS.  
Kitchen and Lavatory Faucets  
2.2 GPM (8.3 L/min)**



### Job/Location

.....  
.....

### Engineer

.....  
.....

### Contractor

.....  
.....

For ADA compliance (Americans with Disabilities Act) consult ADAAG or your state regulations for proper product choice and mounting locations.

SYMMONS INDUSTRIES, INC.  
31 Brooks Drive, Braintree, MA 02184-3804  
TEL: 1-800-SYMMONS, (781) 848-2250 FAX: 1-800-961-9621, (781) 843-3849  
Web site: www.symmons.com

