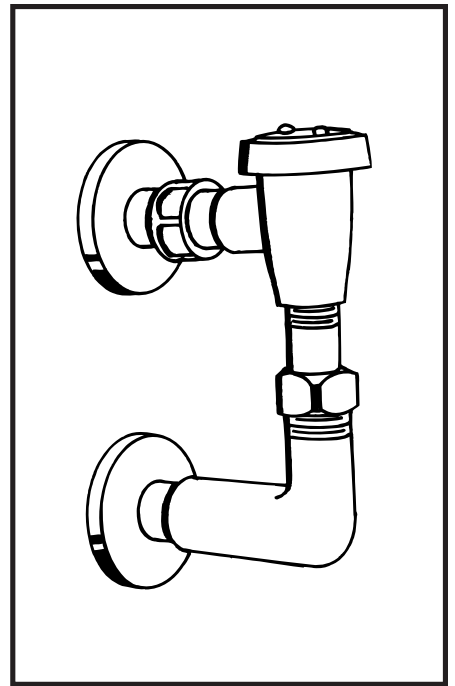


# VB Elevated Vacuum Breaker

Elevated vacuum breaker for exposed mounting with concealed piping.



SYMMONS PRODUCTS MEET  
ANSI A112.18.1M, EPA '92  
AND ALL KNOWN FLOW RATE  
REQUIREMENTS.

Job/Location

.....  
.....

Engineer

.....  
.....

Contractor

.....  
.....

For ADA compliance (Americans with Disabilities Act) consult ADAAG or your state regulations for proper product choice and mounting locations.

SYMMONS INDUSTRIES, INC.  
31 Brooks Drive, Braintree, MA 02184  
TEL: 1-800-SYMMONS, (781) 848-2250 FAX: 1-800-961-9621, (781) 843-3849  
website: [www.symmons.com](http://www.symmons.com)

©1998 Symmons Industries, Inc. Printed in U.S.A.

