

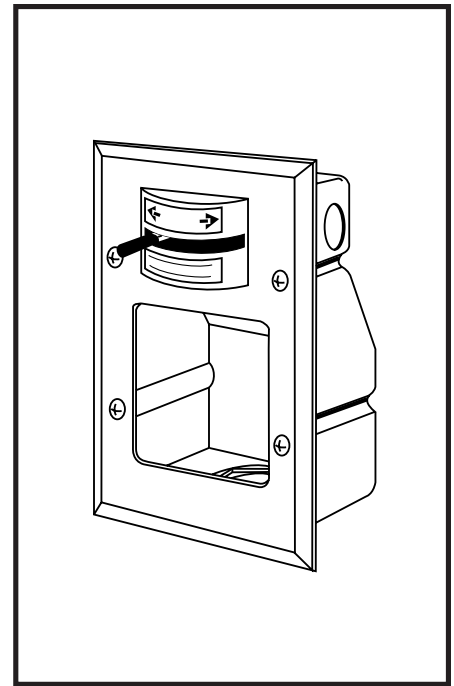
W-602 Laundry-Mate®

Laundry-Mate supply and drain fixture with 1/2" sweat union ell connections and 2" drain connections.

Modifications:

Add:

Suffix X: Service stops.



SYMMONS PRODUCTS MEET
ANSI A112.18.1M, EPA '92
AND ALL KNOWN FLOW RATE
REQUIREMENTS.

Job/Location

.....
.....

Engineer

.....
.....

Contractor

.....
.....

For ADA compliance (Americans with Disabilities Act) consult ADAAG or your state regulations for proper product choice and mounting locations.

SYMMONS INDUSTRIES, INC.
31 Brooks Drive, Braintree, MA 02184
TEL: 1-800-SYMMONS, (781) 848-2250 FAX: 1-800-961-9621, (781) 843-3849
website: www.symmons.com

