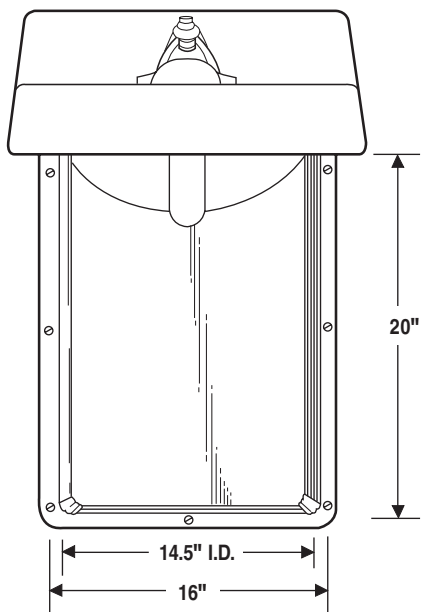
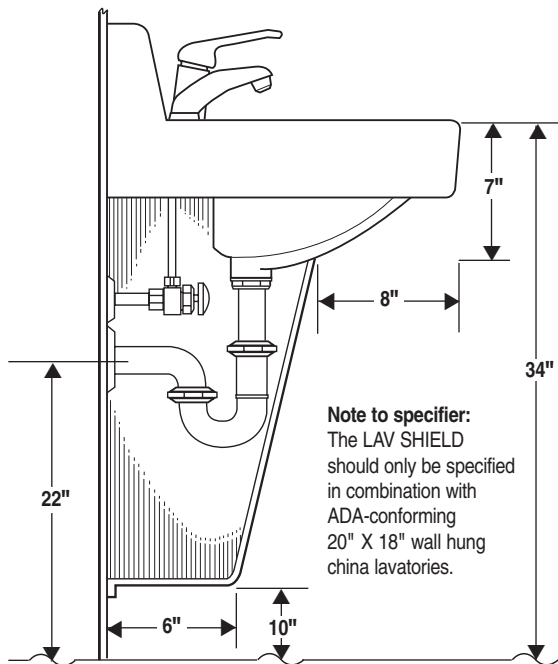




LAV SHIELD[®]
LAVATORY PROTECTIVE ENCLOSURES

Submittal Sheet

ADA-compliant undersink protection



U.S. and Canadian patents:
D373,412, D372,077, D384,732,
D393,700, D390,643, 79,064, 79,063



TRUEBRO, Inc., 7 Main Street, Ellington, CT 06029
(860) 875-2868 • (800) 340-5969 • FAX: (860) 872-0300
e-mail: info@truebro.com • Internet: http://www.truebro.com



Lav Shield Classified by
Underwriters Laboratories Inc.[®]
in accordance with
ADA article 4.19.4 22FF



General Description:

LAV SHIELD[®] rigid enclosure is dimensionally engineered to satisfy ADA requirements, design aesthetics and mechanical cooperation. LAV SHIELD conceals electronic faucet connections, mixing valves, trap primers and instantaneous hot water heaters,* while allowing wheelchair accessibility under lavatories and eliminating vandalism. Available in the standard model for field fit applications or may be ordered as a factory pre-cut which closely follows the underside contours of the lavatory specified.

*Lavatory "rough in" should be considered to allow mounting room for water heater behind enclosure. Contact TRUEBRO for specifications.

Material	High-impact, stain-resistant, rigid PVC
Nominal Wall	.093"
Durometer	69 - Shore D
Finish	Fine haircell
UV Protection	Will not fade or discolor
Durability	Virtually indestructible
Fasteners	Seven (7) wall anchors provided
Color	China white
Compatibility	Fits all ADA-conforming 20"x18" wall hung lavatories
Paintability	Apply acrylic enamel or Latex
UL Listing	In accordance with ADA Article 4.19.4
Flammability	UL-94 V-0, 5VA ASTM D-635-91 4 (ATB) 2.1 (AEB)
Bacterial/Fungal Resistance	ASTM G21 and G22/Result 0

LAV SHIELD Model #2018 — Standard (to be Field Fit)

Lav Shield factory pre-cut available:

- Model #2018-AS-C – Am.Std. Comrade
- Model #2018-AS-D – Am.Std. Declyn
- Model #2018-AS-L – Am.Std. Lucerne
- Model #2018-AS-M – Am.Std. Muro
- Model #2018-AS-R – Am.Std. Roxalyn
- Model #2018-BR-W – Briggs Whitman
- Model #2018-CR-H – Crane Harwich
- Model #2018-CR-W – Crane Westmont
- Model #2018-CR-Y – Crane Yorkshire
- Model #2018-EL-B – Eljer Blair
- Model #2018-EL-D – Eljer Delwyn
- Model #2018-EL-M – Eljer Mayburne
- Model #2018-EL-S – Eljer Signature
- Model #2018-EL-U – Eljer Bucknell
- Model #2018-KO-C – Kohler Chesapeake
- Model #2018-KO-G – Kohler Greenwich
- Model #2018-KO-K – Kohler Kingston
- Model #2018-MA-H – Mansfield 2018 HB
- Model #2018-MA-NS – Mansfield 2018 HB-NS
- Model #2018-TO-L – Toto LT307

Tamper-resistant Screws (Torx Head Screws)

Special Pre-cut Request: _____

Job/Location _____

Designer _____