

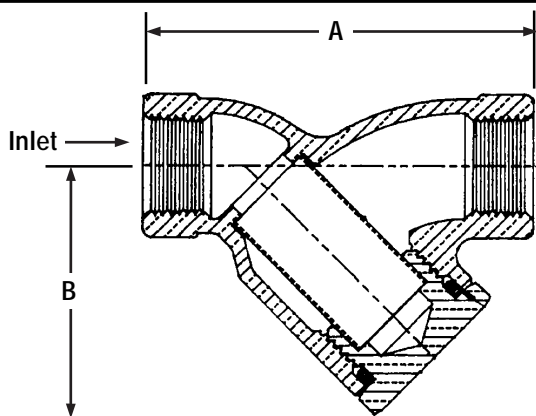


815 Chestnut Street, North Andover, MA 01845-6098 USA
 Tel. (978) 688-1811 Fax: (978) 794-1848

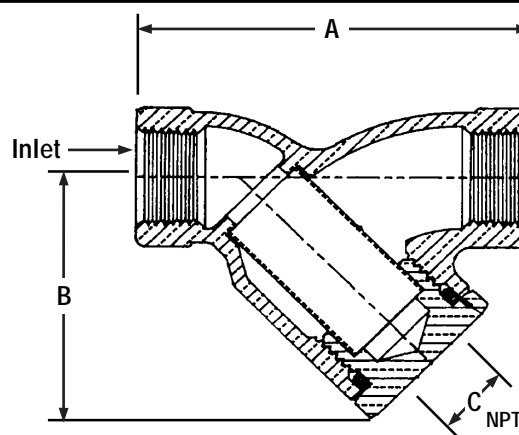
Submittal:
Series 777/777S

Job Name _____ Contractor _____
 Job Location _____ Approval _____
 Engineer _____ Contractor's P.O. No. _____
 Approval _____ Representative _____

Series 777/777S Cast Bronze Strainer
Wye Pattern, Threaded Connections - Sizes 1/4" (8mm) to 4" (100mm)



777 - Solid Retainer Cap with Gasket



777S - Retainer cap tapped for closure plug
 (closure plug not furnished)

DN		Ordering Code 777**	Ordering Code 777S	A		Dimensions B		C* (NPT)		Weight	
in.	mm			in.	mm	in.	mm	in.	mm	lbs.	kgs.
1/4	8	384363	—	2 ¹¹ / ₁₆	68	1 ¹¹ / ₁₆	43	3/8	10	1.7	.77
3/8	10	384364	—	2 ¹¹ / ₁₆	68	1 ¹¹ / ₁₆	43	3/8	10	1.7	.77
1/2	15	384372	384373	3	76	2	51	3/8	10	1.7	.77
3/4	20	384382	384381	3 ⁵ / ₁₆	84	2 ⁵ / ₁₆	59	1/2	15	1.7	.77
1	25	384398	384397	4 ¹ / ₂	114	2 ⁵ / ₁₆	59	3/4	20	2.7	1.22
1 ¹ / ₄	32	384416	384417	5 ¹ / ₈	130	3 ¹ / ₈	79	3/4	20	3.0	1.36
1 ¹ / ₂	40	384432	384431	5 ⁷ / ₈	149	3 ³ / ₄	95	1	25	4.0	1.81
2	50	385145	384007	6 ³ / ₁₆	157	4 ⁷ / ₈	124	1 ¹ / ₄	32	7.4	3.36
2 ¹ / ₂	65	384670	384675	8 ¹ / ₈	206	4 ¹⁵ / ₁₆	125	1 ¹ / ₄	32	12.0	5.44
3	75	384680	384685	10 ¹ / ₈	257	6 ¹¹ / ₁₆	170	1 ¹ / ₂	40	24.0	10.90
4	100	384776	384775	13	325	10 ¹ / ₂	267	1 ¹ / ₂	40	41.0	18.60

*Note: C dimension is for 777S tapping only.

SPECIFICATIONS:

Body: Cast Bronze ASTM B-584
Retainer Cap: 1/4" - 1/2" ASTM B16 Brass;
 3/4" - 4" ASTM B-584 Bronze
Cap Gasket: 1/2" - 2" EPDM;
 other sizes, consult factory.

Standard
Screen: #20 Mesh 304SS
 1/4" (8mm) to 2 1/2" (65mm)
 3/64" (1.2mm) 304SS Perforated screen
 3" (75mm) only
 1/8" (3mm) 304SS Perforated screen
 4" (100mm) only

Options: 304SS wire mesh liners
 (#30, #40, #60, #80, #100)
 304SS Perforated Screens
 1/32", 3/64", 1/16", 1/8", 3/16", 1/4"
 Consult factory

Pressure: **WSP:** 125psi (8.6 bars) @ 353°F (178°C)
WOG: 400 psi (27.6 bars) @ 210°F (99°C)
Flow: Flow direction arrow on body.

PERFORMANCE DATA:

Table shows pressure drop (psid) through Series 777M1 strainers at various flow rates using standardly furnished 20 mesh screens.

Flow gpm	lpm	in.	mm	in.	mm	in.	mm	in.	mm	in.	mm	in.	mm	in.	mm	in.	mm	in.	mm
		1/2	13	3/4	19	1	25	1 1/4	32	1 1/2	38	2	51	2 1/2	64	3	76	4	100
		psi	*	psi	*	psi	*	psi	*	psi	*	psi	*	psi	*	psi	*	psi	*
10	38	1.4	.1	.4	.03	.1	.01	.1	.01	.1	.01	.1	.01	.10	.01	.10	.01	.10	.01
20	76	5.5	.4	2.1	.14	.4	.03	.3	.02	.2	.01	.1	.01	.10	.01	.10	.01	.10	.01
30	114	13.3	.9	4.3	.29	1.3	.09	.5	.03	.3	.02	.1	.01	.10	.01	.10	.01	.10	.01
40	152			7.5	.51	2.3	.16	1.0	.07	.5	.03	.2	.01	.10	.01	.10	.01	.10	.01
50	190			10.0	.68	3.5	.24	1.7	.12	.9	.06	.3	.02	.20	.01	.15	.01	.10	.01
60	228			12.0	.82	4.0	.27	2.5	.17	1.5	.10	.5	.03	.25	.02	.20	.01	.10	.01
70	266					4.6	.31	3.2	.22	2.0	.14	.7	.05	.30	.02	.25	.02	.10	.01
80	304					8.0	.54	4.4	.30	2.5	.17	1.0	.07	.40	.03	.30	.02	.10	.01
90	342					12.0	.82	5.7	.39	3.5	.24	1.5	.10	.45	.03	.40	.03	.10	.01
100	380							7.7	.52	4.1	.28	2.0	.14	.50	.03	.45	.03	.13	.01
120	456							10.0	.68	6.0	.41	2.5	.17	.60	.04	.50	.03	.15	.01
140	532							13.0	.88	8.0	.54	3.4	.23	.90	.06	.60	.04	.18	.01
160	608									10.0	.68	4.5	.31	.95	.07	.70	.05	.25	.02
180	684									12.0	.82	5.0	.34	1.00	.07	.80	.05	.35	.02
200	760									14.0	.95	6.5	.44	1.20	.08	.95	.07	.50	.03
225	855											8.0	.54	1.50	.10	1.10	.08	.60	.04
250	950											9.5	.65	1.80	.12	1.30	.09	.70	.05
300	1140											11.0	.75	2.50	.17	1.60	.11	1.00	.07
400	1520													4.30	.29	3.00	.20	1.70	.12
500	1900													6.10	.42	4.00	.27	2.70	.18
600	2280													8.50	.58	5.50	.37	4.00	.27

*Atmospheres: psi multiplied by .068.

For performance factors on nonstandard screens and liners, please refer to ES-Screen.

Watts product specifications in U.S. customary units and metric are approximate and are provided for reference only. For precise measurements, please contact Watts Technical Service. Watts reserves the right to change or modify product design, construction, specifications, or materials without prior notice and without incurring any obligation to make such changes and modifications on Watts products previously or subsequently sold.

NOTES: