

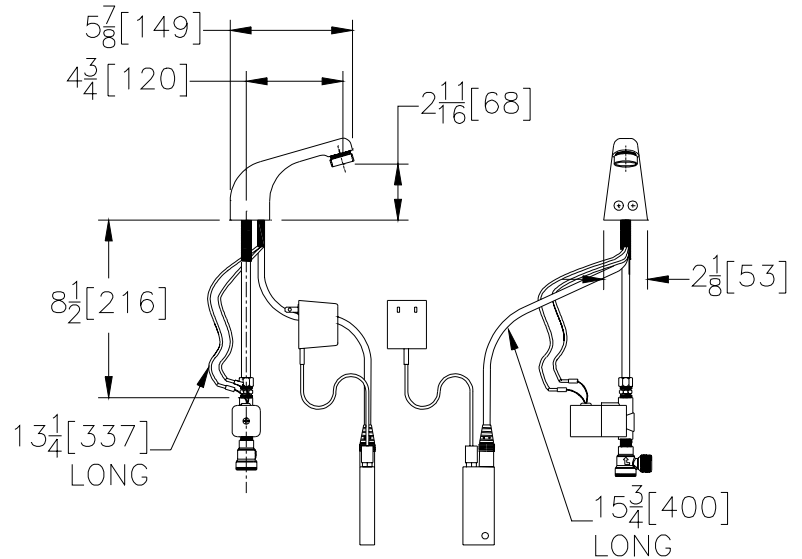


AquaSense®

TAG _____

Z6901

AquaSense Hardwired Sensor Operated Lavatory Faucet



ENGINEERING SPECIFICATION: ZURN Z6901 AquaSense® Hardwired Sensor Operated Lavatory Faucet- The AquaSense faucet is a sensor operated brass faucet with a polished chrome exterior. The faucet incorporates a 12 VDC solenoid valve, and an infrared sensor. The faucet is furnished complete with 120 VAC/12VDC power converter, solenoid valve, in-line filter, and 1.5 gpm vandal resistant aerator. Sensor range is factory set, but can be easily adjusted for a given application. Inlet for a 1/2[13] ball riser supply hose is standard. (Hose supplied by others)

Suffix Options (Check/Specify Appropriate Options)

- _____ -A 2.0 GPM Vandal Resistant Aerator
- _____ -ADM Above Deck Mixer
- _____ -ADM-1 Above Deck Mixer w/4" Cover Plate
- _____ -ADM-2 Above Deck Mixer w/8" Cover Plate
- _____ -B 2.5 GPM Vandal Resistant Aerator
- _____ -C 2.5 GPM Laminar Flow Control
- _____ -CP4 Cover Plate 4[102] Centers
- _____ -CP8 Cover Plate 8[203] Centers
- _____ -LT Less Thirty Second Time-Out
- _____ -MU Multi-Unit Power Connector (3 faucets)
- _____ -MU10 Multi-Unit Power Connector (10 faucets)
- _____ -MV Temperature Mixing Valve
- _____ -SH Supply Hoses for Mixing Valve
- _____ -SSH Single Supply Hose
- _____ -TMV Thermostatic Mixing Valve
- _____ -WB Wrist Blade Handle for ADM
- _____ Other

This space is for Architectural/engineering Approval

ZURN INDUSTRIES, INC. ♦ COMMERCIAL BRASS OPERATION ♦ 5900 ELWIN BUCHANAN DRIVE ♦ SANFORD NC 27330

Phone: 1-800-997-3876 ♦ Fax: 919-775-3541 ♦ World Wide Web: www.zurn.com

In Canada: ZURN INDUSTRIES LIMITED ♦ 3544 Nashua Drive ♦ Mississauga, Ontario L4V1L2 ♦ Phone: 905-405-8272 Fax: 905-405-1292