

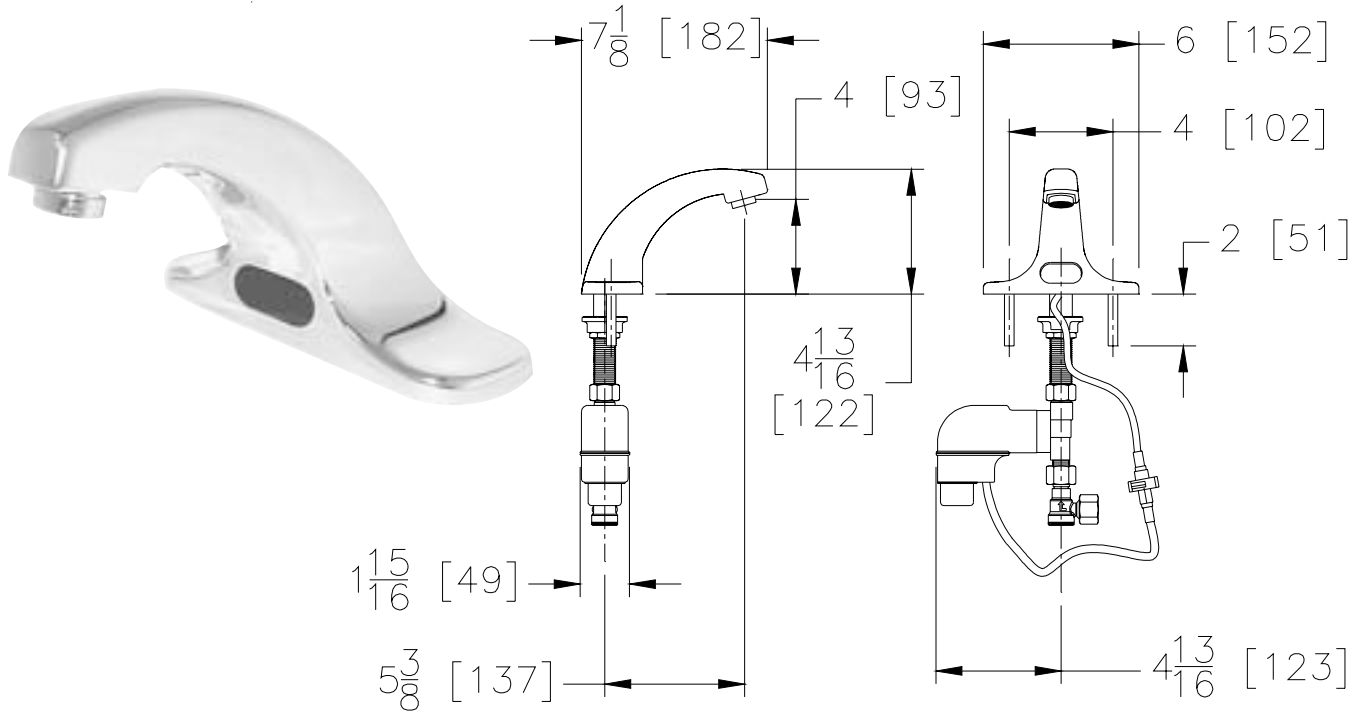


AquaSense®

TAG _____

Z6915

AquaSense Battery Powered Lavatory Faucet



Suffix Options (Check/Specify Appropriate Options)

- _____ -A 2.0 GPM Vandal Resistant Aerator
- _____ -ACA A/C Plug-in Type Power Adaptor
- _____ -C 2.2 GPM Laminar Flow Control
- _____ -CWB Connecting Wire for Power Converter
- _____ -F .5 GPM Vandal Resistant Aerator
- _____ -IA3 Inlet Adaptor (3/8"[10] compression)
- _____ -MT Mixing Tee
- _____ -MV Manual Temperature Mixing Valve
- _____ -PVDB PVD Polished Brass
- _____ -SH Three Piece Supply Hose
- _____ -SSH Single Supply Hose
- _____ -TMV Thermostatic Mixing Valve
- _____ -TMV-1 Thermostatic Mixing Valve for Single Faucet
- _____ Other

ENGINEERING SPECIFICATION: ZURN Z6915 AquaSense Battery

Powered Lavatory Faucet- The AquaSense sensor faucet is a battery powered sensor faucet with an integral four inch cover plate for retrofit and new construction. The faucet incorporates an infrared convergence-type proximity sensor into the chrome plated cast brass spout. The faucet is furnished complete with sensor module, spout module and in-line filter for easy installation. Standard equipment consists of 4 'AA' batteries, a 1.5 GPM vandal resistant aerator and an inlet for a 1/2"[13] ball riser supply hose (furnished by others). Sensor range is factory set and nonadjustable. The batteries act as a battery back up when the -ACA plug-in type power adaptor is used.

This space is for Architectural/engineering Approval

ZURN INDUSTRIES, INC. ♦ COMMERCIAL BRASS OPERATION ♦ 5900 ELWIN BUCHANAN DRIVE ♦ SANFORD NC 27330

Phone: 1-800-997-3876 ♦ Fax: 919-775-3541 ♦ World Wide Web: www.zurn.com

In Canada: ZURN INDUSTRIES LIMITED ♦ 3544 Nashua Drive ♦ Mississauga, Ontario L4V1L2 ♦ Phone: 905-405-8272 Fax: 905-405-1292