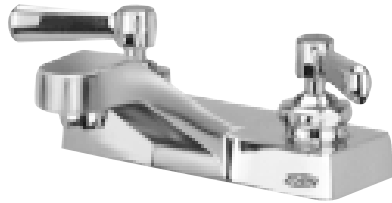




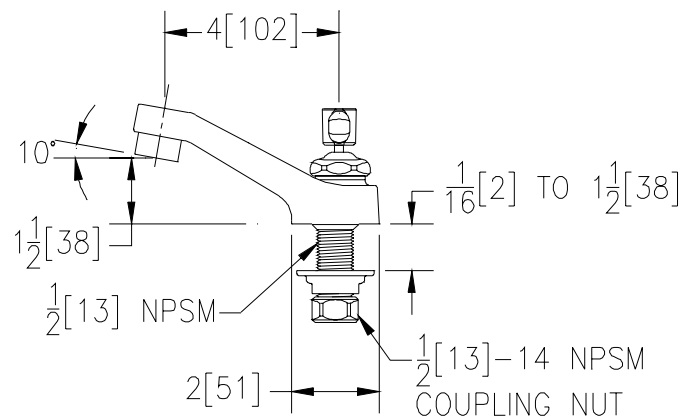
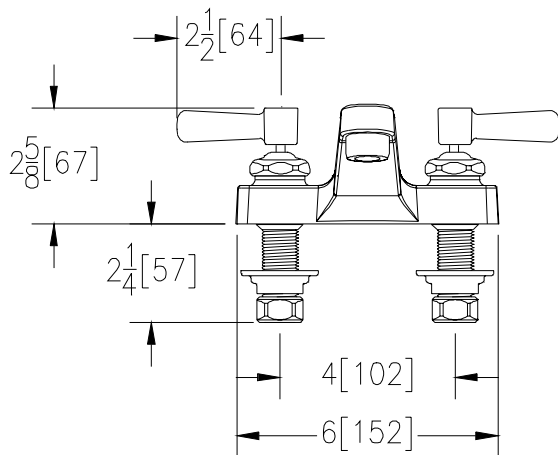
4" CENTERSET Z-81101

TAG _____



Engineering Specification: Zurn AquaSpec® Z-81101

Polished chrome-plated cast brass faucet body with integral shanks, quarter turn ceramic disc cartridges and a 4" [102mm] long integral cast spout. Unit is furnished with a 2.0 GPM [7.6 L] variable orifice aerator (complying with ANSI A112.18.1 Standard for flow), 2-1/2" [64mm] vandal-resistant color-coded brass lever handles, mounting hardware and 1/2" [13mm] NPSM coupling nuts for standard lavatory risers.



Note: All dimensions are for reference only. Do not use for pre-plumbing

OPTIONAL ACCESSORIES

Suffix	Description
___-G	1-1/4" [32mm] Grid Strainer Drain
___-PT	1-1/4" [32mm] Cast Brass P-Trap with a 7-1/2" [191mm] Long 17-Gauge Wall Bend
___-2M	2.0 GPM [7.6 L] Vandal-Resistant Male Aerator
___-3M	0.5 GPM [1.9 L] Vandal-Resistant Male Aerator
___-4M	2.0 GPM [7.6 L] Vandal-Resistant Male Laminar Flow

ZURN INDUSTRIES, INC. ♦ COMMERCIAL BRASS OPERATION ♦ 2855 GIRTS ROAD ♦ JAMESTOWN NY 14701

Phone: 1-716-665-1132 ♦ Fax: 1-716-665-1135 ♦ World Wide Web: www.zurn.com

In Canada: ZURN INDUSTRIES LIMITED ♦ 3544 Nashua Drive ♦ Mississauga, Ontario L4V1L2 ♦ Phone: 905/405-8272 Fax: 905/405-1292