



LABORATORY FAUCET - DOUBLE

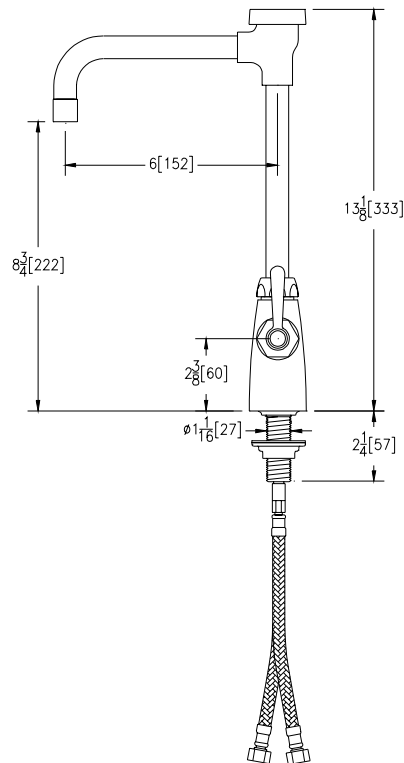
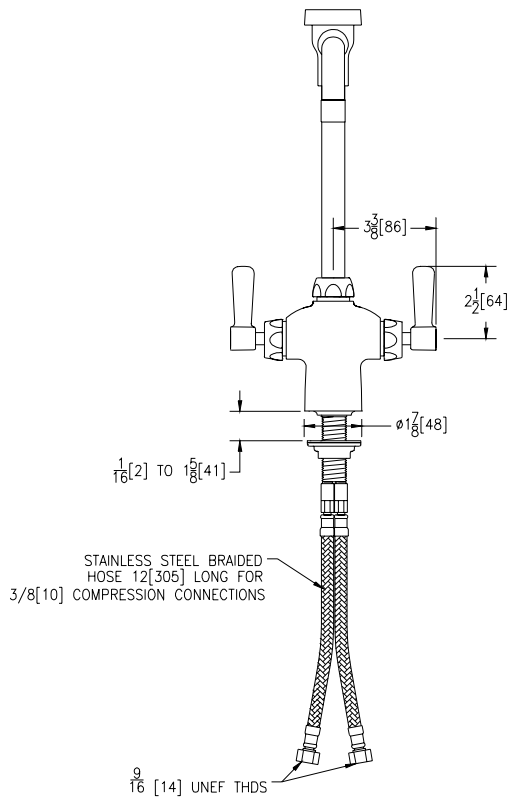
Z-826U1

TAG _____



Engineering Specifications: Zurn AquaSpec® Z-826U1

Polished chrome-plated double laboratory faucet with integral shank, quarter turn ceramic disc cartridges and a 6" [152mm] centerline rigid gooseneck spout with vacuum breaker. Unit is furnished with a 2.0 GPM [7.6 L] variable orifice aerator (complying with ANSI A112.18.1 Standard for flow), 2-1/2" [64mm] vandal-resistant color-coded brass lever handles, mounting hardware and stainless steel flex connection hoses.



Note: All dimensions are for reference only. Do not use for pre-plumbing.

OPTIONAL ACCESSORIES

Suffix	Description
___-CST	Copper Supply Tubes
___-FC	2.0 GPM [7.6 L] Laminar Flow Control in Base of Spout
___-G	1-1/4" [32mm] Grid Strainer Drain
___-MY	Mixing Yoke Assembly Instead of Copper Supplies
___-PT	1-1/4" [32mm] Cast Brass P-Trap with a 7-1/2" [191mm] Long 17-Gauge Wall Bend
___-6M	2.0 GPM [7.6 L] Male Serrated Nozzle Outlet
___-18FH	18" [457mm] S.S. Braided Flex Hoses

ZURN INDUSTRIES, INC. ♦ COMMERCIAL BRASS OPERATION ♦ 2855 GIRTS ROAD ♦ JAMESTOWN NY 14701

Phone: 1-716-665-1132 ♦ Fax: 1-716-665-1135 ♦ World Wide Web: www.zurn.com

In Canada: ZURN INDUSTRIES LIMITED ♦ 3544 Nashua Drive ♦ Mississauga, Ontario L4V1L2 ♦ Phone: 905/405-8272 Fax: 905/405-1292