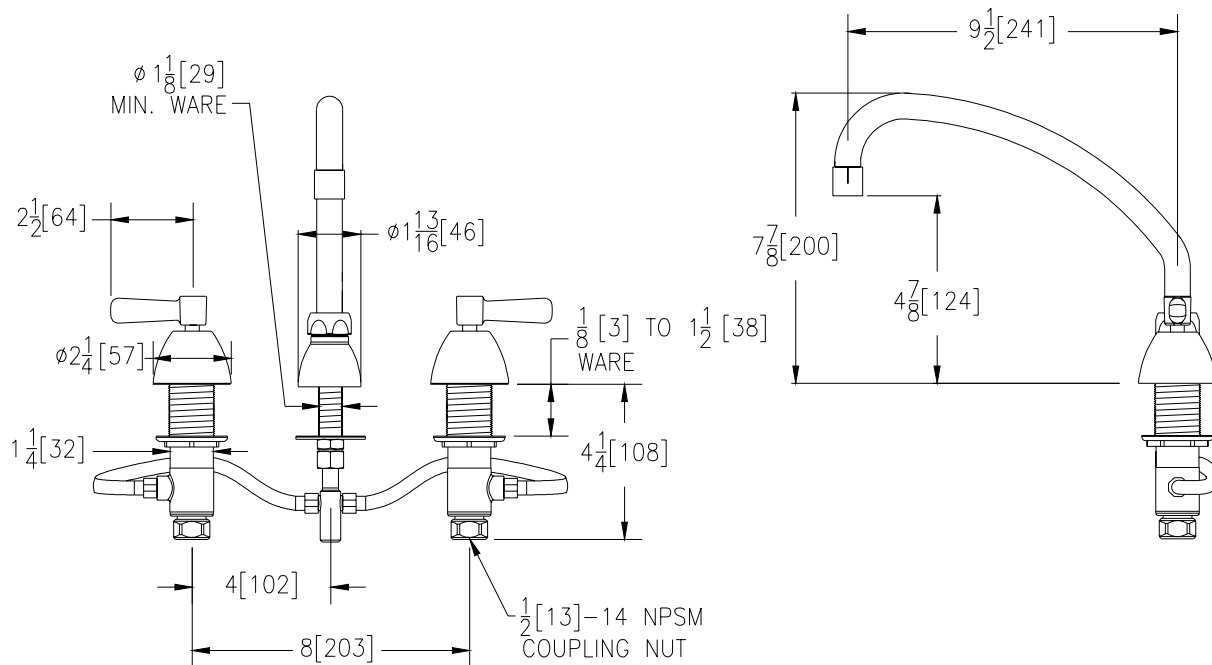



Engineering Specifications: Zurn AquaSpec® Z-831J1

Polished chrome-plated widespread with adjustable centers from 6"[152mm] to 20"[508mm], a 9-1/2"[241mm] tubular brass swing spout and quarter turn ceramic disc cartridges. Unit is furnished with a 2.0 GPM [7.6 L] variable orifice aerator (complying with ANSI A112.18.1 Standard for flow), 2-1/2"[64mm] vandal-resistant color-coded brass lever handles, mounting hardware and 1/2" [13mm] NPSM coupling nuts for standard lavatory risers. Widespread accommodates installations up to 1-1/2" [38mm] thick.



Note: All dimensions are for reference only. Do not use for pre-plumbing

OPTIONAL ACCESSORIES

Suffix	Description
___ -CWO	Cold Water Only
___ -G	1-1/4" [32mm] Grid Strainer Drain
___ -GH	1-1/4" [32mm] Offset Handicap Grid Drain
___ -HS	Hose and Spray
___ -ICT	Inter-connecting Copper Supply Tubes for 8"[203mm] In-line Centers
___ -P	1-1/4" [32mm] Pop-up Drain
___ -PT	1-1/4" [32mm] Cast Brass P-Trap with a 7-1/2" [191mm] Long 17-Gauge Wall Bend
___ -TW	Third Waterway
___ -2F	2.0 GPM [7.6 L] Vandal-Resistant Female Aerator
___ -3F	0.5 GPM [1.9 L] Vandal-Resistant Female Aerator
___ -4F	2.0 GPM [7.6 L] Vandal-Resistant Female Laminar Flow
___ -5F	2.0 GPM [7.6 L] Female Spray Outlet