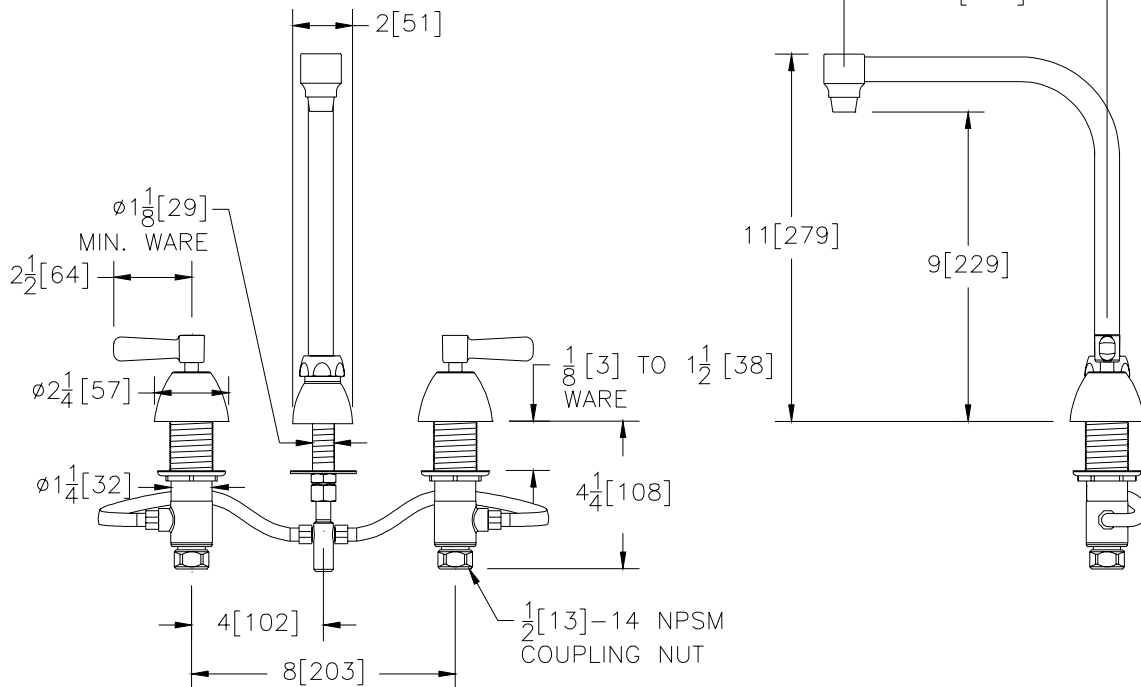



Engineering Specifications: Zurn AquaSpec® Z-831S1

Polished chrome-plated widespread with adjustable centers from 6" [152mm] to 20" [508mm], an 8" [203mm] bent riser spout and quarter turn ceramic disc cartridges. Unit is furnished with a 2.0 GPM [7.6 L] variable orifice aerator (complying with ANSI A112.18.1 Standard for flow), 2-1/2" [64mm] vandal-resistant color-coded brass lever handles, mounting hardware and 1/2" [13mm] NPSM coupling nuts for standard lavatory risers. Widespread accommodates installations up to 1-1/2" [38mm] thick.



Note: All dimensions are for reference only. Do not use for pre-plumbing

OPTIONAL ACCESSORIES

Suffix	Description
___-CWO	Cold Water Only
___-FC	2.0 GPM [7.6 L] Laminar Flow Control in Base of Spout
___-G	1-1/4" [32mm] Grid Strainer Drain
___-GH	1-1/4" [32mm] Offset Handicap Grid Drain
___-HS	Hose and Spray
___-ICT	Inter-connecting Copper Supply Tubes for 8" [203mm] In-line Centers
___-P	1-1/4" [32mm] Pop-up Drain
___-PT	1-1/4" [32mm] Cast Brass P-Trap with a 7-1/2" [191mm] Long 17-Gauge Wall Bend
___-TW	Third Waterways
___-2M	2.0 GPM [7.6 L] Vandal-Resistant Male Aerator
___-3M	0.5 GPM [1.9 L] Vandal-Resistant Male Aerator
___-4M	2.0 GPM [7.6 L] Vandal-Resistant Male Laminar Flow
___-5M	2.0 GPM [7.6 L] Male Spray Outlet
___-14M	2.5 GPM [9.5 L] Vandal-Resistant Male Aerator

ZURN INDUSTRIES, INC. COMMERCIAL BRASS OPERATION

5900 ELWIN BUCHANON DRIVE ♦ SANFORD NC 27330 Phone: 814/455-0921 ♦ Fax: 814/454-7929 ♦ World Wide Web: www.zurn.com
 In Canada: ZURN INDUSTRIES LIMITED ♦ 3544 Nashua Drive ♦ Mississauga, Ontario L4V1L2 ♦ Phone: 905/405-8272 Fax: 905/405-1292