



SERVICE SINK FAUCET

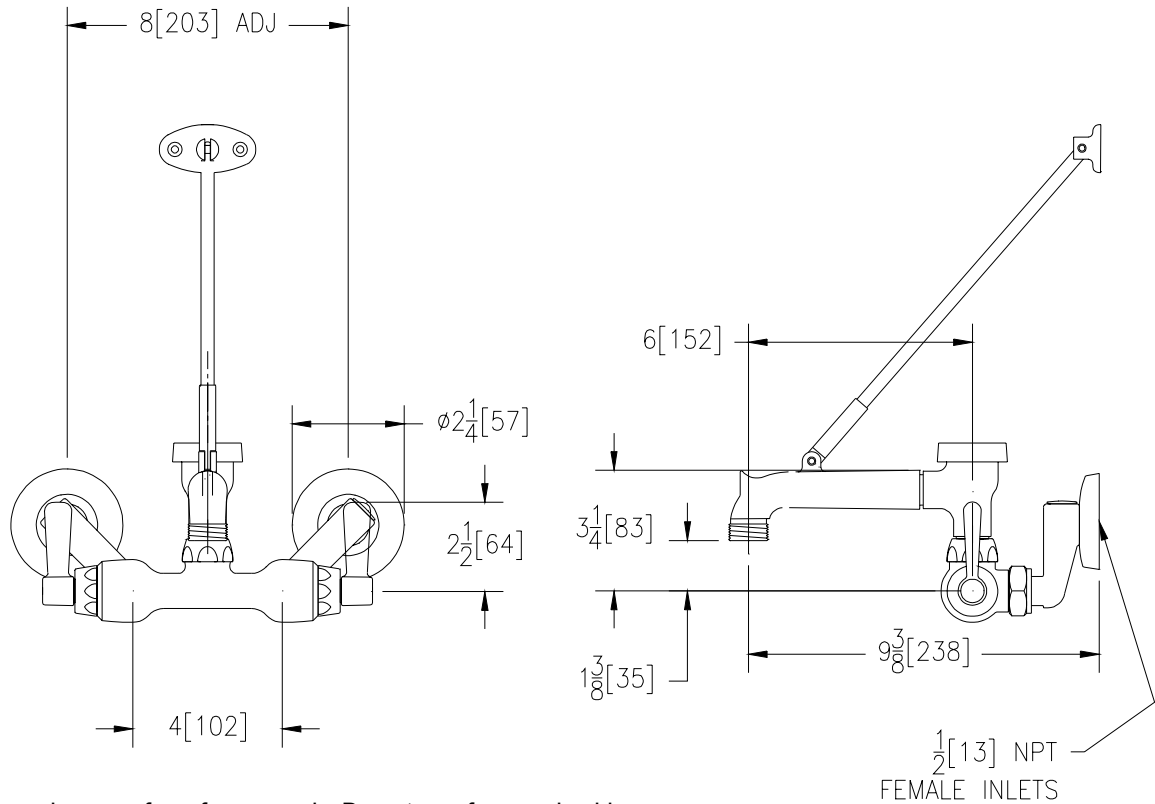
Z-841M1-RC

TAG _____



Engineering Specifications: Zurn AquaSpec® Z-841M1-RC

Rough chrome-plated cast brass service sink faucet with quarter turn ceramic disc cartridges, 2-1/2" [64mm] long swivel inlets (with integral stops) providing adjustable centers from 4" [102mm] to 8-3/8" [213mm] and a 6" [152mm] centerline cast brass vacuum breaker spout with an integral 3/4" [19mm] hose threaded outlet, pail hook and wall brace. Unit is provided with 2-1/2" [64mm] vandal-resistant color-coded brass lever handles.



Note: All dimensions are for reference only. Do not use for pre-plumbing.

OPTIONAL ACCESSORIES

Suffix	Description
—-SSI	3/8" [10mm] Short Swivel Inlets
—-WHK	Wall Hook
—-5H	5' [152cm] Vinyl Hose

ZURN INDUSTRIES, INC. ♦ COMMERCIAL BRASS OPERATION ♦ 2855 GIRTS ROAD ♦ JAMESTOWN NY 14701

Phone: 1-716-665-1132 ♦ Fax: 1-716-665-1135 ♦ World Wide Web: www.zurn.com

In Canada: ZURN INDUSTRIES LIMITED ♦ 3544 Nashua Drive ♦ Mississauga, Ontario L4V1L2 ♦ Phone: 905/405-8272 Fax: 905/405-1292