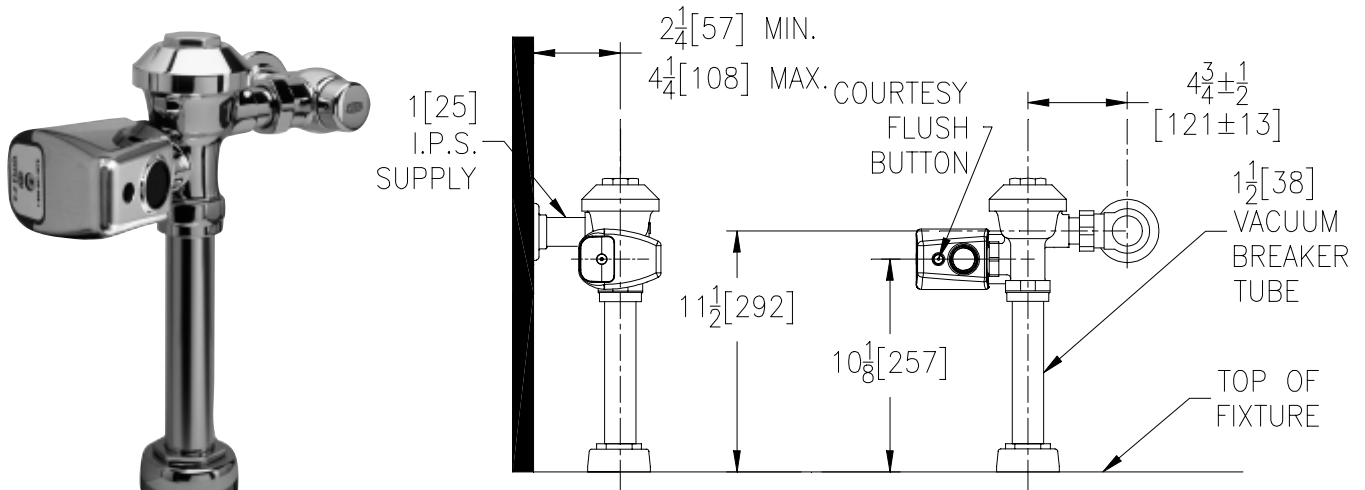




Exposed ZER6000AV-CPM Model Sensor Operated Battery Powerd Flush Valve For Water Closets



Flow Options

- | | |
|---|--------------------------|
| <input type="checkbox"/> -WS1 | 1.6 Gal. Low Consumption |
| <input type="checkbox"/> -FF | 4.5 Gal. Full Flush |
| <input type="checkbox"/> Standard Flush | 3.5 Gallons Per Flush |

Suffix Options (Check/Specify Appropriate Options)

- | | |
|-----------|-------------------------|
| _____ -YJ | Split Ring Pipe Support |
| _____ -YK | Solid Ring Pipe Support |
| _____ -YO | Bumper On Angle Stop |
| _____ | Other |

ENGINEERING SPECIFICATION: ZURN ZER6000AV-CPM AquaSense 'AV' Exposed Closet Flush Valve - Exposed, quiet diaphragm-type, chrome plated flushometer valve with a polished exterior. Complete with Zurn's AquaVantage TPE, chloramine resistant, dual seal diaphragm with a clog resistant, triple filtered by-pass. The unit features a 6VDC motor actuator with automatic infrared sensor, user-in view L.E.D., low battery indicator light, switchable 24 hour auto-flush and three second delay flush to deter false flushing, 10 degree angled sensor for optimum user detection, courtesy flush button, high impact resistant polycarbonate housing, impact resistant glass lens and chrome plated metal cover. The unit comes complete with 4 "C" size batteries, wrench for installation and allen key for the battery compartment. The E-Z Flush electronics are ultra energy efficient for optimal battery life. This unit incorporates a high back pressure vacuum breaker, one piece hex coupling nut, adjustable tailpiece, spud coupling and flange for top spud connection. Control stop has internal siphon-guard protection, vandal resistant stop cap, sweat solder kit, and a cast wall flange with set screw. Internal seals are made of chloramine resistant materials.

This space is for Architectural/engineering Approval