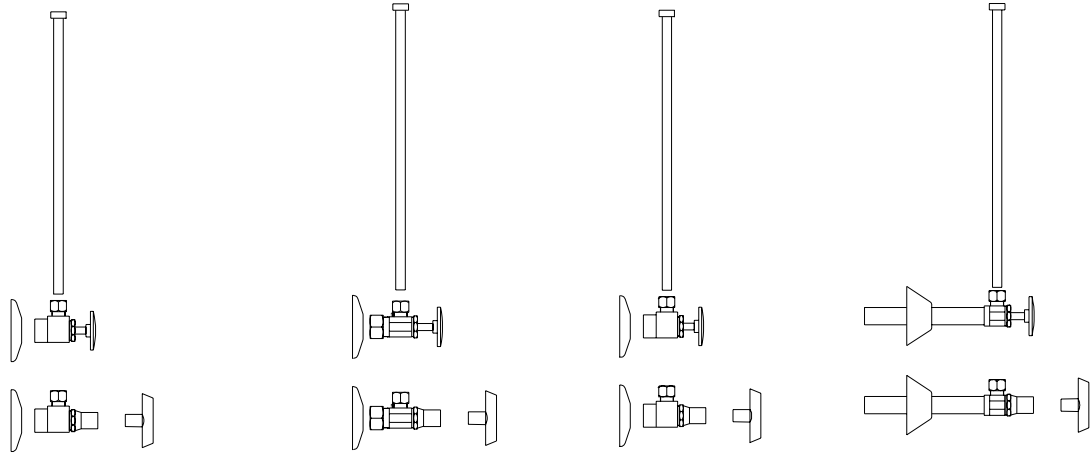




# ZH8820CR - ZH8828CR

## HEAVY DUTY STOP WITH FLEXIBLE CLOSET SUPPLY

Dimensional Data (inches and [ mm ]) are Subject to Manufacturing Tolerances and Change Without Notice



ZH8820 THRU ZH8823

ZH8824 THRU ZH8825

ZH8826

ZH8827 THRU ZH8828

**SUFFIXES**

- \_\_\_\_\_ - **CE** Chrome Plated, Cast Brass, Set Screw
- \_\_\_\_\_ - **D** Chrome Plated Steel, Deep Bell Flange (Bell Type)
- \_\_\_\_\_ - **WE** Wrot Brass, Deep Flange, (Bell Type)
- \_\_\_\_\_ - **XP** Cross Handle
- \_\_\_\_\_ - **-3** 3[76] Nipple
- \_\_\_\_\_ - **-5** 5[127] Nipple

**Engineering Specification:** Zurn ZH8820CR to ZH8828CR One Zurn chrome plated, solid brass angle stop with round wheel handle or loose key as specified, one 12[305] flexible chrome plated copper lavatory complete with one chrome plated steel flange. ZH8827CR and ZH8828CR include one 5[127] chrome plated copper extension tube with bell flange.

PRODUCT NUMBER	CONNECTIONS	EXT.	MASTER CARTON	WEIGHT		CARTON
				CR	CRLK	
ZH8820CR	3/8 [10] IPS x 3/8 [10] OD	—	25	18		
ZH8820CRLK	3/8 [10] IPS x 3/8 [10] OD	—	25			18
ZH8821CR	3/8 [10] IPS x 1/2 [13] OD	—	25	18		
ZH8821CRLK	3/8 [10] IPS x 1/2 [13] OD	—	25			18
ZH8822CR	1/2 [13] IPS x 3/8 [10] OD	—	25	18		
ZH8822CRLK	1/2 [13] IPS x 3/8 [10] OD	—	25			18
ZH8823CR	1/2 [13] IPS x 1/2 [13] OD	—	25	18		
ZH8823CRLK	1/2 [13] IPS x 1/2 [13] OD	—	25			18
ZH8824CR	1/2 [13] NOM x 3/8 [10] OD	—	25	18		
ZH8824CRLK	1/2 [13] NOM x 3/8 [10] OD	—	25			18
ZH8825CR	1/2 [13] NOM x 1/2 [13] OD	—	25	18		
ZH8825CRLK	1/2 [13] NOM x 1/2 [13] OD	—	25			18
ZH8826CR	1/2 [13] SWT x 3/8 [10] OD	—	25	18		
ZH8826CRLK	1/2 [13] SWT x 3/8 [10] OD	—	25			18
ZH8827CR	1/2 [13] SWT x 3/8 [10] OD	5	25	20		
ZH8827CRLK	1/2 [13] SWT x 3/8 [10] OD	5	25			20
ZH8828CR	1/2 [13] SWT x 1/2 [13] OD	5	25	20		
ZH8828CRLK	1/2 [13] SWT x 1/2 [13] OD	5	25			20

**REV. A      DATE: 11/5/01      C.N. NO. 79243**  
**DWG. NO. 60975      PRODNO. ZH8820CR-ZH8828CR**

\*REGULARLY FURNISHED UNLESS OTHERWISE SPECIFIED