

BUTTERFLY VALVE

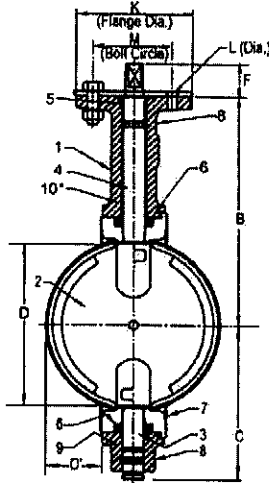
MILWAUKEE VALVE COMPANY

BUTTERFLY VALVE

ML SERIES-REV. D

2"-12" - 200 PSI (1380 kPa)

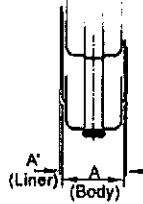
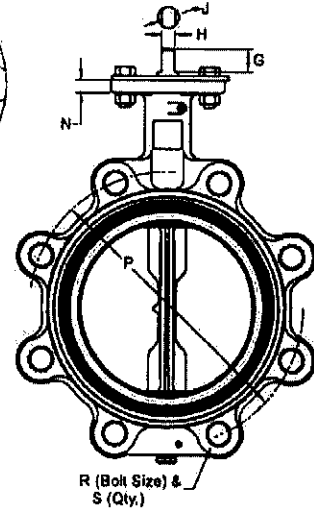
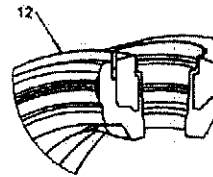
Specifications: API-609
MSS SP-67



Approved by U.S. Coast Guard for use in Category A service as described in Title 46 Code of Federal Regulations 56.20-15.

U Series with undercut disc available @ 50 psi, please consult factory.

Bi-Directional Dead End Service to 200 PSI Max.
Buna & EPDM Only.
All Others 150 PSI Uni-Directional.
Field Repairable.



ITEM	PARTS NAME	MATERIAL
1	BODY	CAST IRON-ASTM A126 CL B
		CAST IRON EPOXY COATED
		CAST IRON-NYLON COATED
		DUCTILE IRON-ASTM A536
		DUCTILE IRON -EPOXY COATED
2	DISC	DUCTILE IRON-NYLON COATED
		NP DUCTILE IRON-ASTM ASTM A536
		ALUMINUM BRONZE- ASTM A351 B 148
		STAINLESS STEEL ASTM A351 CF8M
		NYLON COATED DUCTILE IRON
3	BOTTOM STEM	EPOXY COATED DUCTILE IRON
		STAINLESS STEEL TYPE 416
4	TOP STEM	STAINLESS STEEL 316 (2)
		STAINLESS STEEL TYPE 416
5	TOP BEARING	REINFORCED NYLON
6	SEAL	EPDM,BUNA,VITON (1)
7	LINER	BUNA
		EPDM
		VITON
		HYPALON
		NEOPRENE BLACK-FDA
		NEOPRENE WHITE-FDA
		TEFLON OVER BUNA (150# WOG)
8	ROLL PIN	STAINLESS STEEL
9	STEM SEAL	EPDM,BUNA,VITON (1)
10*	LOWER BEARING	REINFORCED NYLON
11	OPERATOR	LEVER HANDLE (EPOXY COATED LEVER)
		GEAR OPERATOR
		GEAR OPERATOR WITH MEMORY STOP
		GEAR OPERATOR WITH LOCK
		ACTUATOR-AIR/AIR
12**	RETAINING RING	ACTUATOR-AIR/SPRING
		ACTUATOR-ELECTRIC
12**	RETAINING RING	1066 SPRING STEEL (65Mn)

DIMENSIONS

	INCHES	2	2-1/2	3	4	5	6	8	10	12
A (Body)	INCHES	1.69	1.81	1.81	2.07	2.19	2.19	2.38	2.69	3.06
	mm	42.9	46.1	46.0	52.5	55.8	55.8	60.3	68.3	78.0
A' (Liner)	INCHES	1.82	1.94	1.94	2.20	2.32	2.31	2.51	2.82	3.21
	mm	46.1	49.1	49.1	55.8	58.8	58.7	63.8	71.5	82.0
B	INCHES	5.50	6.00	6.25	7.00	7.53	8.00	9.36	10.56	12.06
	mm	139.7	152.4	158.8	177.8	191.3	203.2	238.1	268.3	306.4
C	INCHES	3.08	3.31	3.75	4.25	4.94	5.58	6.58	7.88	9.25
	mm	77.8	84.1	95.3	108.0	125.4	141.3	168.7	200.0	235.0
D (Chord Dia)	INCHES	1.49	2.01	2.64	3.67	4.71	5.66	7.72	9.70	11.68
	mm	37.8	51.1	67.1	93.2	119.6	143.8	196.1	246.4	296.7
D' (Intrusion)	INCHES	0.28	0.44	0.69	1.08	1.50	1.84	2.84	3.89	4.50
	mm	7.1	11.1	17.5	27.0	38.1	46.2	72.2	98.7	114.3
F	INCHES	1.13	1.13	1.13	1.13	1.13	1.13	1.50	1.50	1.50
	mm	28.6	28.6	28.6	28.6	28.6	28.6	38.1	38.1	38.1
G	INCHES	0.81	0.81	0.81	0.81	0.81	0.81	1.06	1.06	1.06
	mm	20.6	20.6	20.6	20.6	20.6	20.6	27.0	27.0	27.0
H	INCHES	0.35	0.35	0.35	0.40	0.40	0.44	0.53	0.71	0.71
	mm	8.9	8.9	8.9	10.2	10.2	11.2	13.5	18.0	18.0
J	INCHES	0.50	0.50	0.50	0.56	0.56	0.62	0.75	1.00	1.00
	mm	12.8	12.8	12.8	14.2	14.2	15.8	19.0	25.4	25.4
K	INCHES	4	4	4	4	4	4	6	6	6
	mm	101.6	101.6	101.6	101.6	101.6	101.6	152.4	152.4	152.4
L (Dia)	INCHES	0.44	0.44	0.44	0.44	0.44	0.44	0.56	0.56	0.56
	mm	11.1	11.1	11.1	11.1	11.1	11.1	14.3	14.3	14.3
M	INCHES	3.25	3.25	3.25	3.25	3.25	3.25	5.00	5.00	5.00
	mm	82.6	82.6	82.6	82.6	82.6	82.6	127.0	127.0	127.0
N	INCHES	0.44	0.44	0.44	0.44	0.44	0.44	0.50	0.50	0.50
	mm	11.1	11.1	11.1	11.1	11.1	11.1	12.7	12.7	12.7
P	INCHES	4.75	5.50	6.00	7.50	8.50	9.50	11.75	14.25	17.00
	mm	120.7	139.7	152.4	190.5	215.9	241.3	298.5	362.0	431.8
R	INCHES	5/8-11	5/8-11	5/8-11	5/8-11	3/4-10	3/4-10	3/4-10	7/8-9	7/8-9
	mm	15.875	15.875	15.875	15.875	19.050	19.050	19.050	23.812	23.812
S	INCHES	4	4	4	8	8	8	8	12	12
	mm	101.6	101.6	101.6	203.2	203.2	203.2	203.2	304.8	304.8

(1) VITON O-RINGS ARE USED WITH HYPALON, NEOPRENE, AND TEFLON LINERS. * PROVIDED ON 8", 10" AND 12".
(2) 316 STEM USED WITH CF8M DISC

** EPDM AND BUNA LINER ONLY

byhydco uk Rev. 3

The information presented on this sheet is correct at the time of publication. Milwaukee Valve reserves the right to change design, and/or material specifications without notice. For the Installation, Operation and Maintenance Manual (IOM) see the engineering section on our website. For the most current information access www.milwaukeevalve.com



M L 2 3 4 V A

VALVE SERIES	BODY STYLE	OPERATOR	BODY MATERIAL	DISC MATERIAL	LINER MATERIAL	SPECIAL OPTIONS
C - C SERIES H - H SERIES (250 psi) M - M SERIES O - O SERIES U - U SERIES (50 psi)	1 - LUG BODY 2 - WATER BODY	1 - VALVE ONLY 2 - LEVER HANDLE 3 - GEAR OPERATOR 5 - GEAR W/MEMORY STOP 9 - GEAR W/LOCKOUT N - BURIED SERVICE GEAR OPERATOR W/ SQUARE NUT	2 - CAST IRON* 3 - DUCTILE IRON	2 - NICKEL PLATED DUCTILE IRON 3 - ALUMINUM BRONZE 4 - CRIMPED STAINLESS STEEL 7 - NYLON COATED DUCTILE IRON 8 - EPOXY COATED DUCTILE IRON	B - BUNA-N E - EPDM H - HYDALON NB - FDA BLACK NEOPRENE NW - FDA WHITE NEOPRENE T - TEFLON (BUNA SUBSTITUTE) (AVAILABLE W/SS DISC AND STEM ONLY) V - VITON	5 - 316 STEEL W/AS OR NP DISC A - EPOXY COATED BODY AD - ASSEMBLE DRY LF - LOW FRICTION (Cornwall Factory)

C-SERIES IS AVAILABLE ONLY IN CAST IRON WATER OR LUG BODY WITH ALBRZ DISC, BODM LINER, LEVER OR GEAR OPERATOR.