

# **FLEXIBLE CONNECTORS**

**MINNESOTA FLEXIBLE CORPORATION**



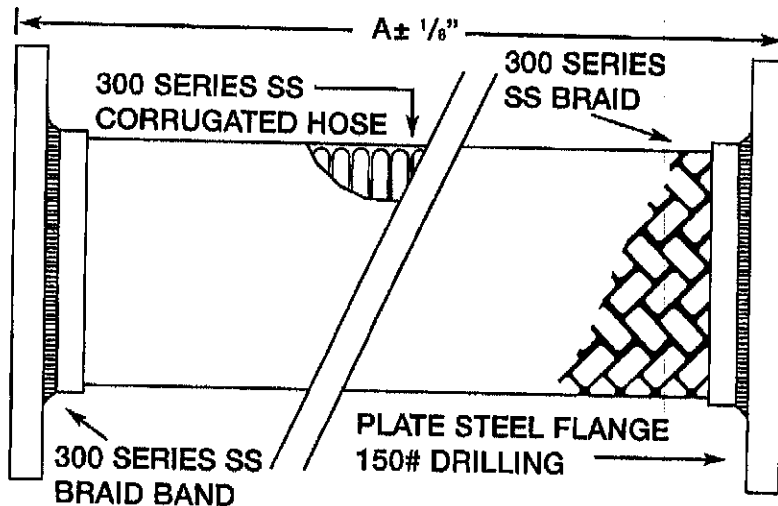
# HVAC ACCESSORIES

MINNESOTA

**FLEXIBLE CORPORATION**

803 Transfer Road • St. Paul, MN 55114 • Phone 651.645.7522 • Fax 651.645.8259 • Toll Free 800.351.9069

PROJECT	
CUSTOMER	
ENGINEER	
REPRESENTATIVE	
DRAWING #	



Qty.	I.D. (In.)	O.A.L. (In.)	Weight (lb)	Max W.P. (PSI) @70° F*	Max Test*	Notes
	2.00	9.00	11	518	778	
	2.50	9.00	14	387	581	
	3.00	9.00	15	316	474	
	4.00	9.00	22	232	348	
	5.00	11.00	29	191	286	
	6.00	11.00	36	133	199	
	8.00	12.00	60	234	350	
	10.00	13.00	85	230	344	
	12.00	14.00	120	161	241	
	14.00	14.00	160	150	225	

## FFCS - FLANGE X FLANGE

\* Pressures listed have been reduced 20% to account for method of attachment