

GAUGES

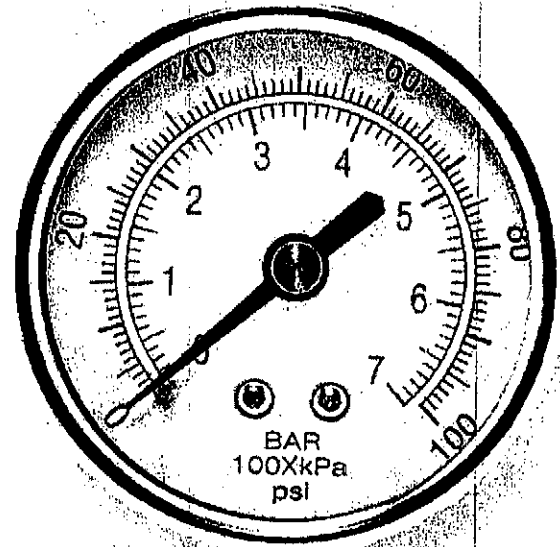
WEKSLER GLASS THERMOMETER CORP.

2" UTILITY GAUGE BRASS BOURDON TUBE AND SOCKET MODEL 20TL4

WGTC WEKSLER GLASS
THERMOMETER CORP.

STANDARD FEATURES

- 2" dial size
- Brass bourdon tube and socket
- Brass movement
- Black steel case with chrome bezel
- 1/4" NPT bottom connection
- Accuracy: 3/2/3% per ASME B40.1 Grade B
- White scale with black graduations and numerals
- Metric readings in blue
- Suitable for water, air, oil, gas or any medium not corrosive to copper alloys
- Siphon required for steam applications

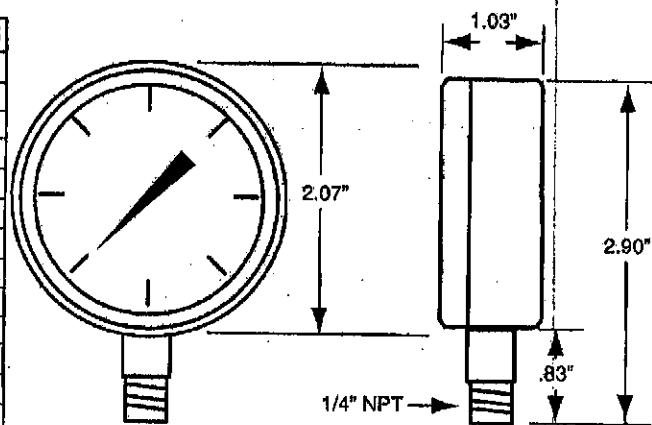


MODEL 20TL ▶

STANDARD RANGES

RANGE	CODE	FIGURES	GRADUATIONS
30"/0 VAC	P2	5" HG	0.5" HG
30"/0/30	P4	10" HG / 10 PSI	1" HG / 1 PSI
30"/0/60	P5	10" HG / 10 PSI	2" HG / 1 PSI
30"/0/100	P6	30" HG / 20 PSI	5" HG / 5 PSI
30"/0/150	P7	30" HG / 20 PSI	5" HG / 2 PSI
30"/0/300	P8	30" HG / 50 PSI	5" HG / 5 PSI
0/15 PSI	PA	2 PSI	0.1 PSI
0/30 PSI	PB	5 PSI	0.25 PSI
0/60 PSI	PC	10 PSI	0.5 PSI
0/100 PSI	PD	20 PSI	1 PSI
0/160 PSI	PE	20 PSI	2 PSI
0/200 PSI	PF	40 PSI	5 PSI
0/300 PSI	PG	50 PSI	5 PSI
0/400 PSI	PH	50 PSI	5 PSI
0/600 PSI	PI	100 PSI	10 PSI

Note: Standard scales read PSI, KPA and BAR.



HOW TO ORDER - PLEASE SPECIFY THE FOLLOWING:

MODEL #	RANGE
20TL4	2 digit code from table

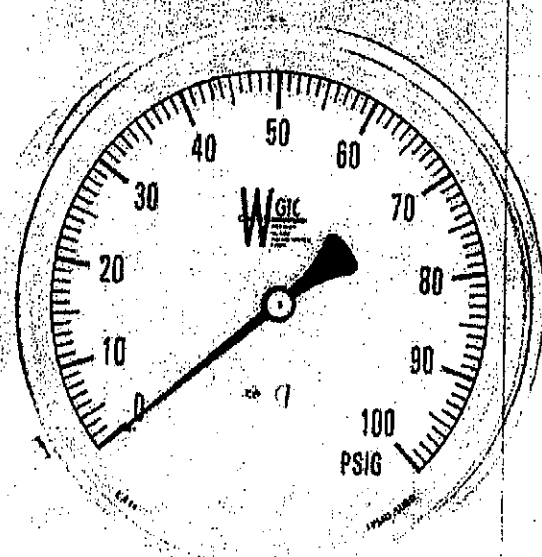
556 Dettor Road • Suite 102 • Charlottesville, VA 22903 • website: www.wekslerglass.com
 Telephone: 877.988.8003 • Fax: 866.982.9882 • e-mail: sales@wekslerglass.com
 International Telephone: 434.977.4544 • International Fax: 434.977.4548

4 1/2" CONTRACTOR GAUGE BRASS BOURDON TUBE AND SOCKET MODEL EA14

WGTC WEKSLER GLASS
THERMOMETER CORP.

STANDARD FEATURES

- 4 1/2" dial size
- Phosphor bronze bourdon tube and brass connection
- Brass movement
- Corrosion resistant stainless steel case and ring
- Recalibrator in face of gauge
- 1% full scale accuracy per ASME B40.1 Grade 1A
- 1/4" NPT bottom connection
- Suitable for water, air, oil, gas or any medium not corrosive to copper alloys
- Siphon required for steam applications



MODEL EA14

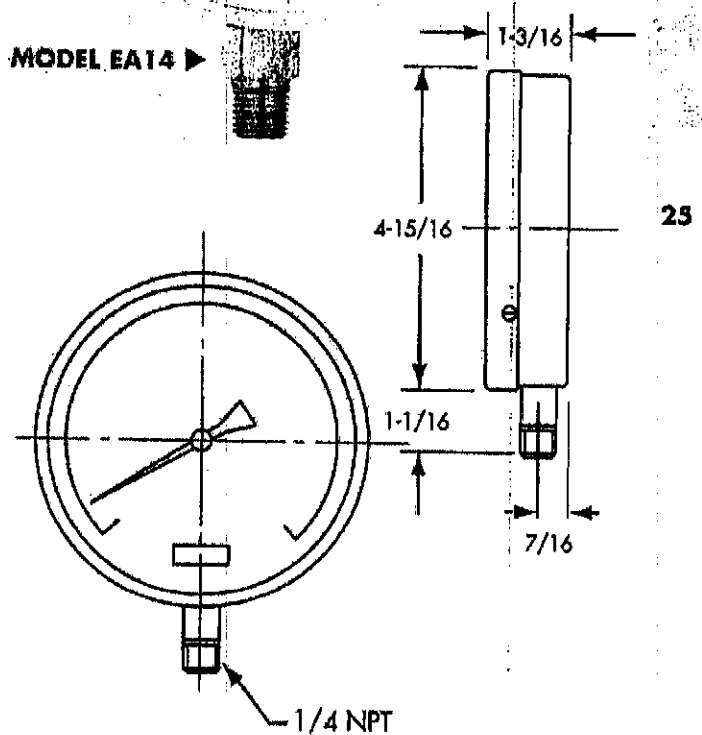
PRESSURE RANGES

CATALOG NO.	DIAL RANGE	FIGURE INTERVALS	SMALLEST GRADUATION
SINGLE SCALE	PSI ONLY	PSI	PSI
EA14-2	0-15	1	.25
EA14-A	0-30	5	.5
EA14-B	0-60	10	1
EA14-C	0-100	10	1
EA14-D	0-160	20	2
EA14-E	0-200	20	2
EA14-F	0-300	50	5
EA14-G	0-500	50	5

VACUUM/COMPOUND RANGES

CATALOG NO.	DIAL RANGE	FIGURE INTERVALS	SMALLEST GRADUATION
SINGLE SCALE	PSI ONLY	PSI	PSI
EA14-H	30"-0" HG VAC	5" HG	.5 HG
EA14-J	30"-0-30	10" HG/10 PSI	1" HG/1 PSI
EA14-K	30"-0-100	15" HG/10 PSI	5" HG/1 PSI
EA14-L	30"-0-150	30" HG/25 PSI	5" HG/5 PSI
EA14-M	30"-0-300	20" HG/50 PSI	5" HG/5 PSI

*Dual Scale PSI and KPA also available



ALTITUDE/PRESSURE RANGES

CAT. NO.	DIAL RANGE	FIGURES	GRADUATIONS
DUAL SCALE	PSI / WATER	PSI / FT	PSI / FT
EA14BALT	0/60 PSI & 0/140 FT	10 / 20	1 / 2
EA14CALT	0/100 PSI & 0/230 FT	10 / 25	2 / 5
EA14DALT	0/160 PSI & 0/375 FT	20 / 50	2 / 5
EA14EALT	0/200 PSI & 0/460 FT	20 / 25	2 / 5

356 Dettor Road • Suite 102 • Charlottesville, VA 22903 • Website: www.wekslerglass.com
 Telephone: 877-988-8008 • Fax: 877-988-8002 • Email: info@wekslerglass.com
 International Telephone: +1-877-988-8008 • Toll Free: 1-877-988-8008